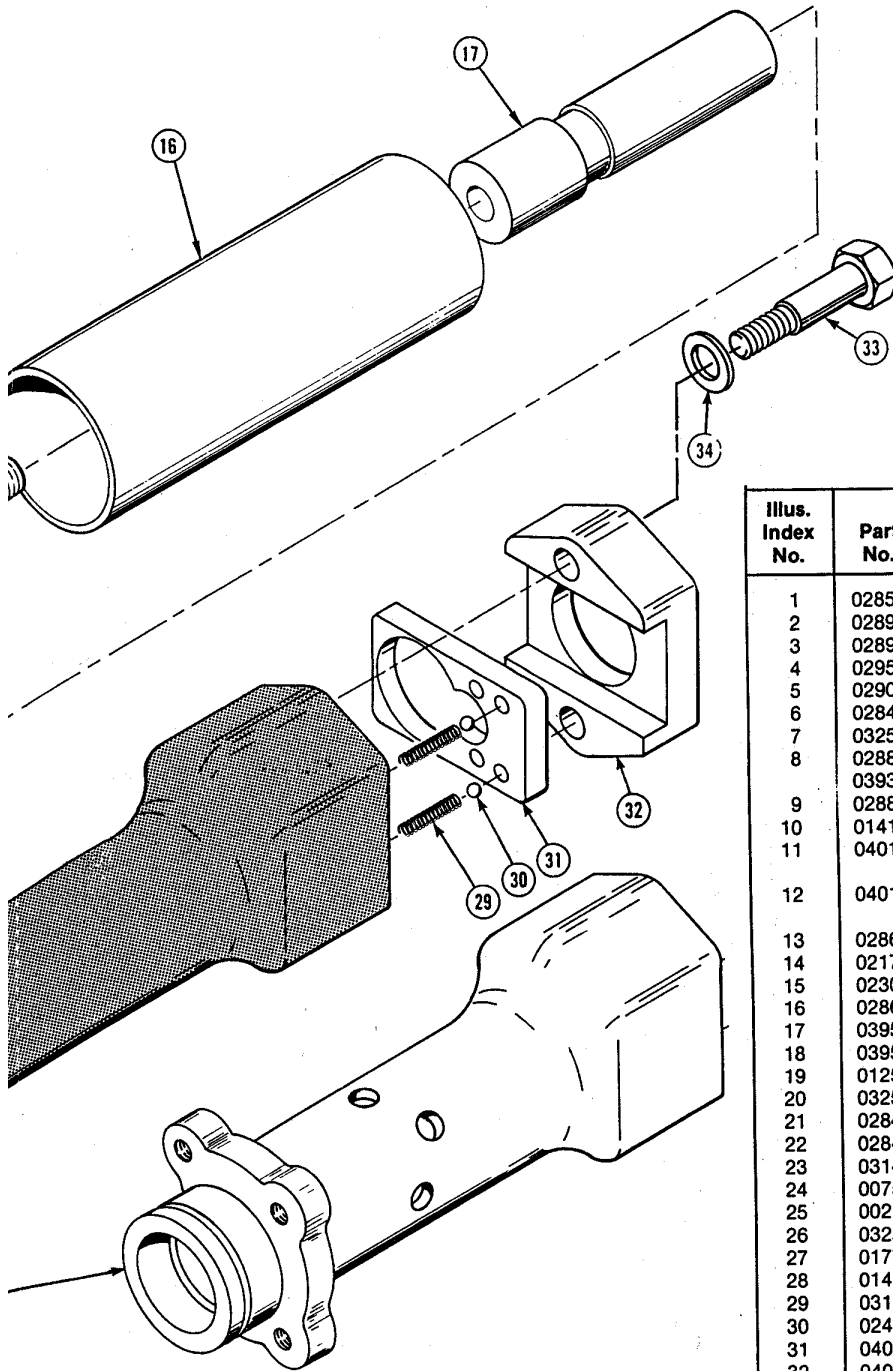


Illus. Index No.	Part No.	Qty. Per Unit	Part Name
1	02853	1	Trigger
2	02890	1	Handle Body Assembly
3	02898	1	Spool Pin, 3/16 x 1-1/2
4	02959	1	Spool Screw
5	02901	1	O-Ring, .239 x .367 x .064 (90 Duro)Ⓞ
6	02846	1	Spring
7	03252	2	O-Ring, 7/16 x 9/16 x 1/16Ⓞ
8	02881	1	On-Off Valve Spool o.c.
9	03936	1	On-Off Valve Spool c.c.
9	02880	1	Reversing Spool
10	01411	2	O-Ring, .468 x .624 x .078 Ⓞ
11	04015	1	Retaining Nose Assy. (Land) (incl. items 29 thru 34)
12	04014	1	Retaining Nose Assy. (U/W) (incl. items 29 thru 34)
13	02865	2	Back-Up Ring Ⓞ
14	02177	2	O-Ring, 2-1/16 x 2-1/4 x 3/32 (90 Duro)Ⓞ
15	02302	2	Rod Seal, 1-1/4 x 1-5/8 x 5/16 x 3/16Ⓞ
16	02869	1	Flow Sleeve Assembly
17	03959	1	Piston
18	03958	1	Oil Tube
19	01259	1	O-Ring, 1-1/2 x 1-5/8 x 1/16Ⓞ
20	03253	1	Valve Body
21	02848	4	Bolt Assembly •
22	02843	1	Pin •
23	03145	1	Name Tag (Not Illus.)
24	00752	1	Retaining Ring, 7/16 Ext. •
25	00211	2	O-Ring, 1 x 1-1/8 x 1/16Ⓞ
26	03254	1	Valve Gland
27	01772	1	O-Ring, 3/4 x 7/8 x 1/16 (90 Duro)Ⓞ
28	01412	2	Hose Assembly (incl. item 10)
29	03190	2	Spring
30	02436	2	Steel Ball
31	04012	1	Retainer
32	04010	1	Retaining Cap
33	02665	2	Capscrew
34	03031	2	Lockwasher

• Denotes Part In Repair Kit  
 Ⓞ Denotes Part In Seal Kit



Illus. Index No.	Part No.	Qty. Per Unit	Part Name
1	02853	1	Trigger
2	02890	1	Handle Body Assembly
3	02898	1	Dowel Pin, 3/16 x 1-1/2
4	02959	1	Spool Screw
5	02901	1	O-Ring, .239 x .367 x .064 (90 Duro)Ⓞ
6	02846	1	Spring
7	03252	2	O-Ring, 7/16 x 9/16 x 1/16 Ⓞ
8	02881	1	On-Off Valve Spool o.c.
	03936	1	On-Off Valve Spool c.c.
9	02880	1	Reversing Spool
10	01411	2	O-Ring, .468 x .624 x .078 Ⓞ
11	04015	1	Retaining Nose Assy. (Land) (incl. items 29 thru 34)
12	04014	1	Retaining Nose Assy. (U/W) (incl. items 29 thru 34)
13	02865	2	Back-Up Ring Ⓞ
14	02177	2	O-Ring, 2-1/16 x 2-1/4 x 3/32 (90 Duro)Ⓞ
15	02302	2	Rod Seal, 1-1/4 x 1-5/8 x 5/16 x 3/16 Ⓞ
16	02869	1	Flow Sleeve Assembly
17	03959	1	Piston
18	03958	1	Oil Tube
19	01259	1	O-Ring, 1-1/2 x 1-5/8 x 1/16 Ⓞ
20	03253	1	Valve Body
21	02848	4	Bolt Assembly ●
22	02843	1	Pin ●
23	03145	1	Name Tag (Not Illus.)
24	00752	1	Retaining Ring, 7/16 Ext. ●
25	00211	2	O-Ring, 1 x 1-1/8 x 1/16 Ⓞ
26	03254	1	Valve Gland
27	01772	1	O-Ring, 3/4 x 7/8 x 1/16 (90 Duro)Ⓞ
28	01412	2	Hose Assembly (incl. item 10)
29	03190	2	Spring
30	02436	2	Steel Ball
31	04012	1	Retainer
32	04010	1	Retaining Cap
33	02665	2	Capscrew
34	03031	2	Lockwasher

● Denotes Part In Repair Kit  
 Ⓞ Denotes Part In Seal Kit



Part No.	Qty.	Description
<b>UNDERWATER MODEL</b>		
<b>Repair Kit Part No. 03844</b>		
00752	1	Retaining Ring
02848	2	Bolt Assembly
02843	1	Pin
03116	1	Wire Retainer
03254	1	Valve Gland
<b>Seal Kit Part No. 03843</b>		
02907	2	Rod Seal
03252	2	O-Ring
02901	1	O-Ring
02865	2	Back-Up Ring
02177	2	O-Ring
03127	1	Wiper Ring
02302	1	Seal
01259	1	O-Ring
01772	1	O-Ring
00211	2	O-Ring

**NOTE: Seal Kit Included In Repair Kit**