

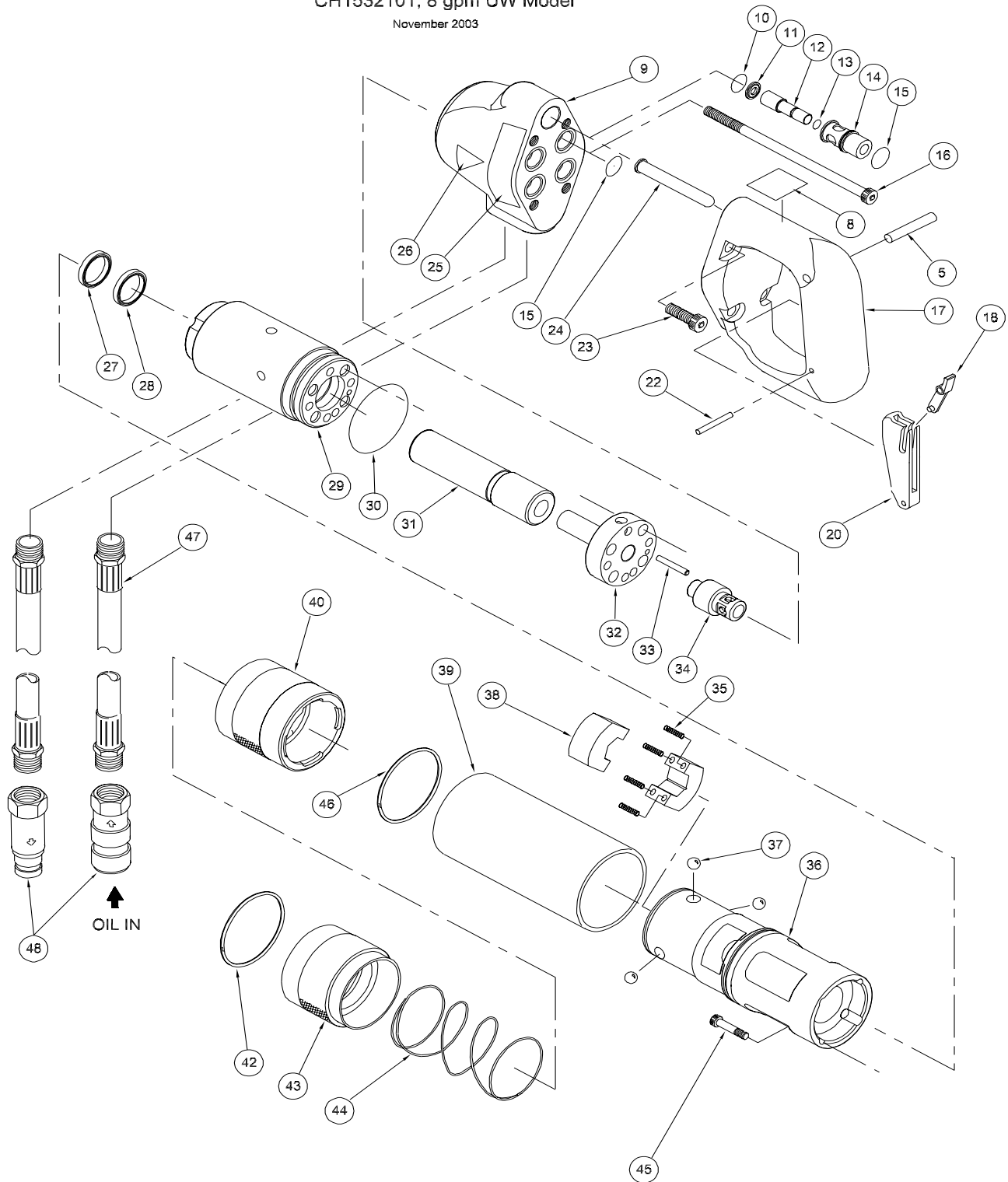
CH15 CHIPPING HAMMER

CH15121, 8 gpm Model

CH15521, 5 gpm Model

CH1532101, 8 gpm UW Model

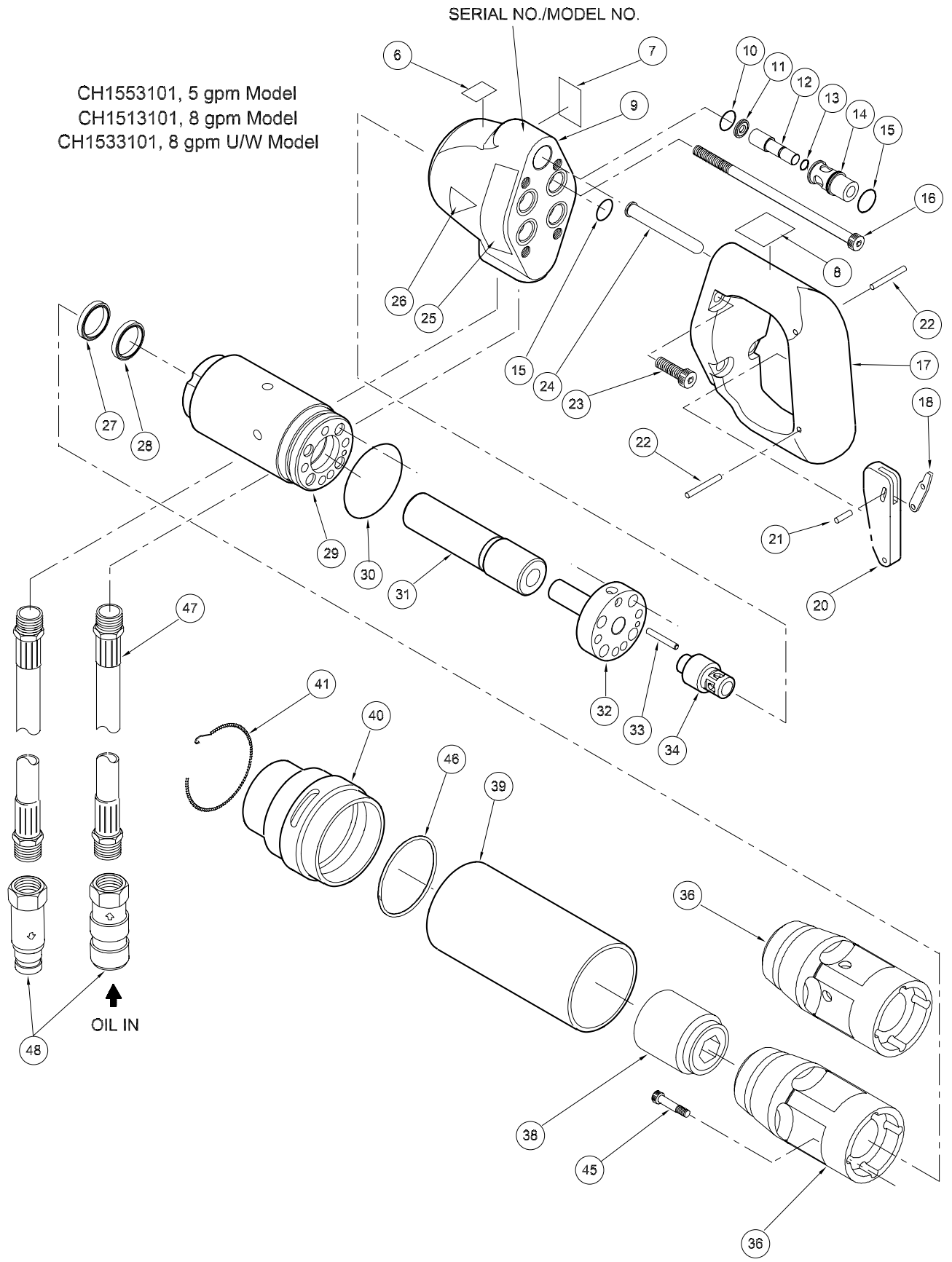
November 2003



| ITEM | P/N | QTY | DESCRIPTION |
|------|-------|-----|-----------------------------------|
| 1 | ---- | -- | NO ITEM |
| 2 | ---- | -- | NO ITEM |
| 3 | ---- | -- | NO ITEM |
| 4 | ---- | -- | NO ITEM |
| 5 | 07492 | 1 | SPIROL PIN |
| 6 | 28323 | 1 | CE STICKER |
| 7 | 66654 | 1 | SOUND PWR LEVEL STICKER |
| 8 | 28409 | 1 | COMPOSITE STICKER |
| 9 | 35544 | 1 | BODY |
| 10 | 00016 | 1 | O-RING 2-015 R16 |
| 11 | 33268 | 1 | INSERT |
| 12 | 31583 | 1 | VALVE SPOOL |
| 13 | 31650 | 1 | O-RING, .176x.040, 5 -193 |
| 14 | 31597 | 1 | VALVE SLEEVE |
| 15 | 01211 | 5 | O-RING 2-016 R16 |
| 16 | 24871 | 4 | CAPSCREW 5/16-18UNC x 3 |
| 17 | 35553 | 1 | HANDLE |
| 18 | 62197 | 1 | TRIGGER ROD |
| 19 | ---- | -- | NO ITEM |
| 20 | 62198 | 1 | TRIGGER |
| 21 | 00878 | 1 | DOWEL PIN, 3/16 X 1/2 SS |
| 22 | 31602 | 1 | SPIROL PIN 5/32 x 1.2 |
| 23 | 13815 | 4 | CAPSCREW 5/16-18UNC x 1 |
| 24 | 31582 | 1 | TRIGGER PIN |
| 25 | 33513 | 1 | NAME TAG, CH15521 MODEL |
| | 36112 | 1 | NAME TAG, CH15121 MODEL |
| 26 | 11206 | 1 | CIRCUIT "C" STICKER, CH15521MODEL |
| | 11207 | 1 | CIRCUIT "D" STICKER, CH15121MODEL |
| 27 | 31607 | 1 | SCRAPER |
| 28 | 31606 | 1 | CUP SEAL |
| 29 | 36111 | 1 | CYLINDER, CH15121 MODEL |
| | 35961 | 1 | CYLINDER, CH15521 MODEL |
| 30 | 07572 | 1 | O-RING 2-135 R16 |
| 31 | 33520 | 1 | PISTON, CH15121 MODEL |
| | 31590 | 1 | PISTON, CH15521 MODEL |
| 32 | 33521 | 1 | TUBE, CH15121 MODEL |
| | 35547 | 1 | TUBE, CH15521 MODEL |
| 33 | 35546 | 1 | DOWEL PIN, 5/32 X 1.500 |
| 34 | 31592 | 1 | SHUTTLE VALVE |
| 35 | 33293 | 4 | SPRING |
| 36 | 31585 | 1 | SHANK |
| | 38596 | 1 | SHANK - UNDERWATER MODEL ONLY |
| 37 | 12100 | 3 | STEEL BALL 3/8 DIA. G |
| 38 | 31586 | 2 | HEX BLOCK |
| 39 | 33294 | 1 | FOAM GRIP |
| 40 | 31587 | 1 | CHUCK ADJUSTOR |
| 41 | ---- | -- | NO ITEM |
| 42 | 33292 | 1 | RETAINING RING |
| 43 | 31588 | 1 | CHUCK OUTER SLEEVE |
| 44 | 33291 | 1 | SPRING |
| 45 | 35976 | 4 | CAPSCREW 1/4X1.500 |
| 46 | 38597 | 1 | RETAINING RING - U/W MODEL ONLY |
| 47 | 01412 | 2 | PIGTAIL HOSE ASSY 12 |
| 48 | 03971 | 1 | FLUSH FACE COUPLER SET |

| |
|--|
| |
| |

| |
|--|
| |
|--|



| ITEM | P/N | QTY | DESCRIPTION | MODEL DESIGNATIONS |
|------|-------|-----|---|-----------------------------------|
| 1 | ---- | -- | NO ITEM | CH1553101 5 gpm Model |
| 2 | ---- | -- | NO ITEM | CH1513101 8 gpm Model |
| 3 | ---- | -- | NO ITEM | CH1533101 8 gpm Model, Underwater |
| 4 | ---- | -- | NO ITEM | |
| 5 | 07492 | 1 | SPIROL PIN | |
| 6 | 28323 | 1 | CE STICKER | SEAL KIT 35979 |
| 7 | 66654 | 1 | SOUND PWR LEVEL STICKER | |
| 8 | 28409 | 1 | COMPOSITE STICKER | |
| 9 | 35544 | 1 | BODY | |
| 10 | 00016 | 1 | O-RING 2-015 R16 | |
| 11 | 33268 | 1 | INSERT | |
| 12 | 31583 | 1 | VALVE SPOOL | |
| 13 | 31650 | 1 | O-RING, .176x.040, 5 -193 | |
| 14 | 31597 | 1 | VALVE SLEEVE | |
| 15 | 01211 | 5 | O-RING 2-016 R16 | |
| 16 | 24871 | 4 | CAPSCREW 5/16-18UNC x 3 | |
| 17 | 35553 | 1 | HANDLE | |
| 18 | 62197 | 1 | TRIGGER ROD | |
| 19 | ---- | -- | NO ITEM | |
| 20 | 62198 | 1 | TRIGGER | |
| 21 | 00878 | 1 | DOWEL PIN, 3/16 X 1/2 SS | |
| 22 | 31602 | 1 | SPIROL PIN 5/32 x 1.2 | |
| 23 | 13815 | 4 | CAPSCREW 5/16-18UNC x 1 | |
| 24 | 31582 | 1 | TRIGGER PIN | |
| 25 | 33513 | 1 | NAME TAG, CH1553101 | |
| | 36112 | 1 | NAME TAG, CH1513101, CH1533101 | |
| 26 | 11206 | 1 | CIRCUIT "C" DECAL, CH1553101 | |
| | 11207 | 1 | CIRCUIT "D" DECAL, CH1513101, CH1533101 | |
| 27 | 31607 | 1 | SCRAPER | |
| 28 | 31606 | 1 | CUP SEAL | |
| 29 | 36111 | 1 | CYLINDER, CH1513101, CH1533101 | |
| | 35961 | 1 | CYLINDER, CH153101 | |
| 30 | 07572 | 1 | O-RING 2-135 R16 | |
| 31 | 33520 | 1 | PISTON, CH1513101, CH1533101 | |
| | 31590 | 1 | PISTON, CH1553101 | |
| 32 | 33521 | 1 | TUBE, CH1513101, CH1533101 | |
| | 35547 | 1 | TUBE, CH1553101 | |
| 33 | 35546 | 1 | DOWEL PIN, 5/32 X 1.500 | |
| 34 | 31592 | 1 | SHUTTLE VALVE | |
| 35 | ---- | -- | NO ITEM | |
| 36 | 65835 | 1 | CHUCK END, CH1513101, CH1553101 | |
| | 66258 | 1 | CHUCK END, CH1533101 U/W ONLY | |
| 37 | ---- | -- | NO ITEM | |
| 38 | 03210 | 1 | RETAINING NOSE LINER | |
| 39 | 33294 | 1 | FOAM GRIP | |
| 40 | 65836 | 1 | SOLID RETAINER | |
| 41 | 65837 | 1 | RETAINER SPRING | |
| 42 | ---- | -- | NO ITEM | |
| 43 | ---- | -- | NO ITEM | |
| 44 | ---- | -- | NO ITEM | |
| 45 | 35976 | 4 | CAPSCREW 1/4X1.500 | |
| 46 | 38597 | 1 | RETAINING RING - U/W MODEL ONLY | |
| 47 | 01412 | 2 | PIGTAIL HOSE ASSY 12 | |
| 48 | 03971 | 1 | FLUSH FACE COUPLER SET | |