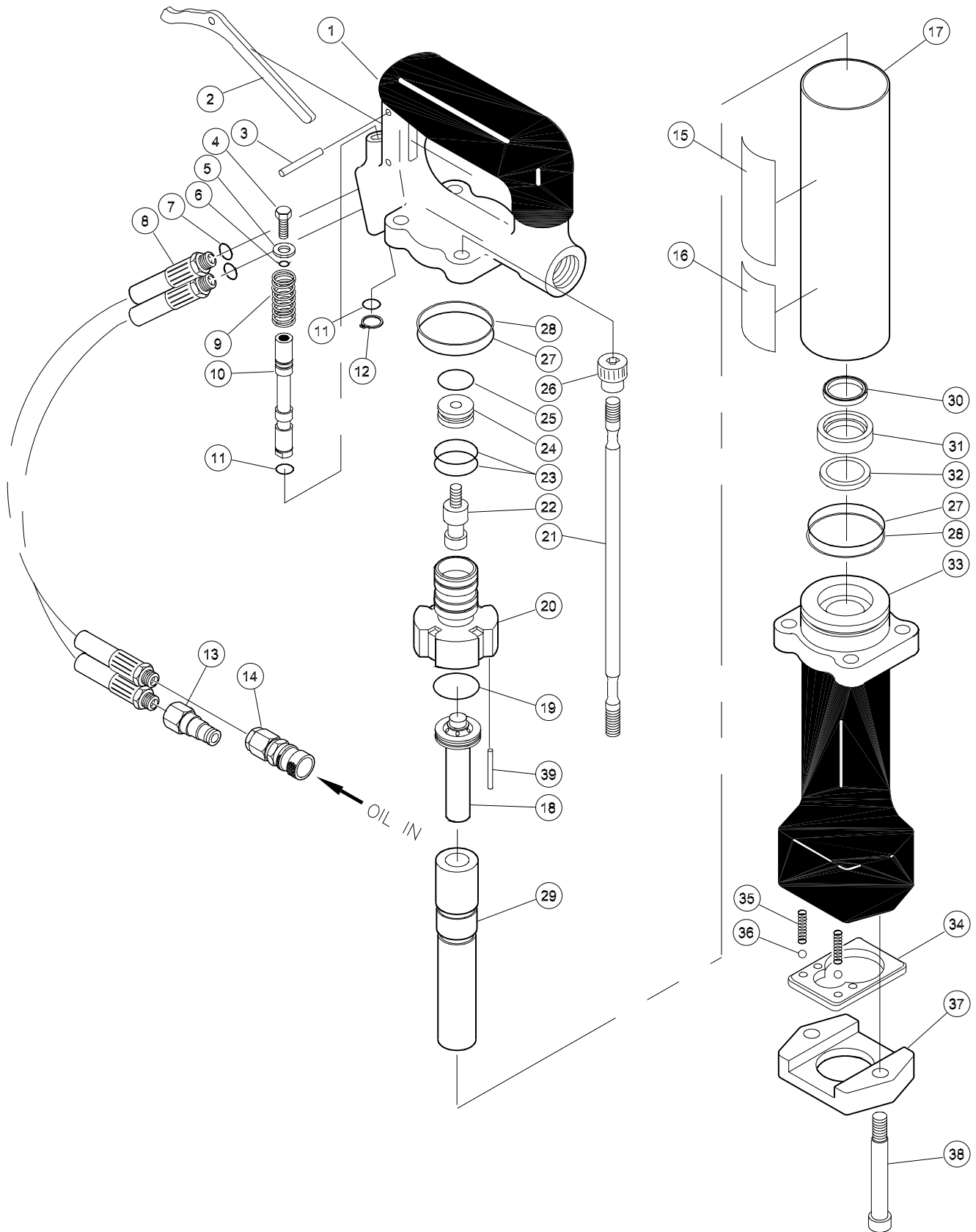


DR19 PARTS ILLUSTRATION



DR19 PARTS LIST

ITEM	P/N	QTY	DESCRIPTION
1	02890	1	Handle Body Assembly
2	02853	1	Trigger
3	24316	1	Dowel Pin 3/16 x 1-1/2
4	02959	1	Spool Screw
5	24348	1	Washer
6	02901	1	O-Ring .239 x .367 x .064
7	03252	2	O-Ring 7/16 x 9/16 x 1/16
8	01412	2	Hose Assembly
9	02846	1	Spring
10	02881	1	On/Off Spool, Open Center
11	03252	2	O-Ring
12	00752	1	Retaining Ring 7/16 ext.
13	03973	1	Male Coupler Body
14	03972	1	Female Coupler Body
15	28853	1	Name Tag
16	03786	1	GPM Sticker
17	02869	1	Flow Sleeve Assembly
18	03658	1	Oil Tube
19	01259	1	O-Ring 1-1/2 x 1-5/8 x 1/16
20	03253	1	Valve Body
21	02848	4	Bolt Assembly
22	02880	1	Reversing Spool
23	00211	2	O-Ring 1 x 1-1/8 x 1/16
24	03254	1	Valve Gland
25	01772	1	O-Ring 3/4 x 7/8 x 1/16
26	02454	4	Allen Nut (furnished with item 21)
27	02177	2	O-Ring 2-1/16 x 2-1/4 x 3/32
28	02865	2	Back-up Ring
29	03959	1	Piston
30	02907	1	Rod Seal 1-1/4 x 1-1/2 x 5/16 x 3/16
31	04175	1	Insert
32	03127	1	Wiper Ring
33	03942	1	Retaining Nose Assembly
34	03536	1	Retainer
35	03190	2	Spring
36	02436	2	Ball
37	03552	1	Retainer Cap
38	03553	2	Capscrew 3/8 x 24 x 2-1/2
39	02843	1	Pin

SEAL KIT PART NUMBER 03331		
02901	O-RING	1
03252	O-RING	2
02865	BACK-UP RING	2
02177	O-RING	2
03127	RODWIPER	1
02302	ROD SEAL	1
01259	O-RING	1
01772	O-RING	1
00211	O-RING	2
02907	ROD SEAL	1

REPAIR KIT PART NUMBER 03943		
00752	RETAINING RING	1
02848	BOLT ASSEMBLY	2
02843	PIN	1
03536	RETAINER	1
03190	SPRING	2
02436	BALL	2
03331	SEAL KIT	1