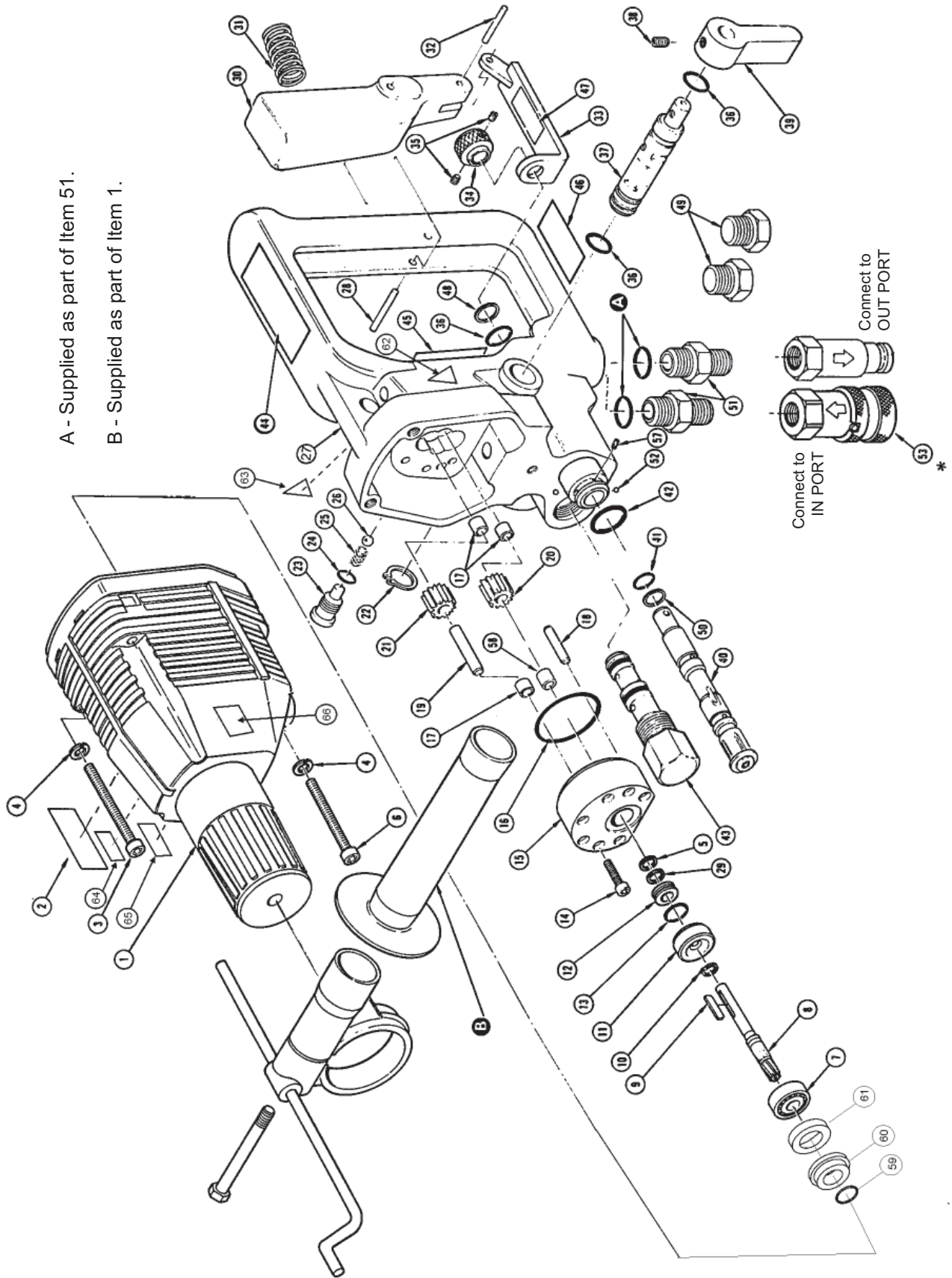


**Model HD08531G
HD0835101 (CE Only)**



Item	Part No.	Qty	Description
1	47450	1	Hammer Drill Mechanism
2	17179	1	Stanley Decal
3	56713	2	Capscrew
4	00341	3	Lockwasher, #8
5	00179	1	Motor Seal Washer
6	00068	1	Capscrew
	47451	1	Main Housing Assembly (Includes Items 17 & 23 thru 27)
7	15905	1	Bearing
8	56711	1	Motor Shaft
9	15896	1	Key
10	00224	1	Retaining Ring
11	15893	1	Back-up Washer
12	23327	1	Seal Liner
13	00106	1	O-Ring
14	15909	7	Capscrew
15	23330	1	Motor Cap Assembly (Includes Items 17, 18 & 59)
16	00621	1	O-Ring
17	05205	3	Busing
18	00289	2	Dowel Pin
19	15890	1	Idler Shaft
20	15895	1	Drive Gear
21	15894	1	Idler Gear
22	17904	1	Retaining Ring
23	15956	1	Check Plug
24	350792	1	O-Ring
25	01602	1	Compression Coil Spring
26	15966	1	Steel Ball
27	35541	1	Main Housing
28	17668	1	Roll Pin, 3/16 x 1-1/4
29	00112	1	Quad Ring
30	16598	1	Trigger
31	16647	1	Compression Coil Spring
32	16648	1	Roll Pin, 5/32 x 5/8
33	17815	1	Trigger Strut
34	17817	1	Knob
35	02837	2	Set Screw

Item	Part No.	Qty	Description
36	07626	3	O-Ring, 1/2 x 5/8 x 1/16
37	15904	1	Reversing Spool
38	17897	1	Set Srew
39	04939	1	Lever
40	17899	1	On-Off Spool OC/CC
41	17924	1	O-Ring, 3/8 x 1/2 x 1/16
42	350810	1	O-Ring, 9/16 x 3/4 x 3/32
43	15908	1	Priority Valve, 6 gpm
44	17160	1	Electrical Danger Decal
45	17161	1	Name Tag/Caution Decal
46	11354	1	OC/CC Decal (OC/CC Models Only)
47	17162	1	OC/CC Decal (OC/CC Models Only)
48	07224	1	Back-up Ring, 1/2 x 1/16
49	06345	2	Plastic Plug
50	07223	1	Back-up Ring, 3/8 x 1/16
51	00936	2	Adapter Fitting
52	21338	2	Ball, 5/32 SST (OC/CC Only)
53	03971	1	Coupler Set
54	--	-	No Item
55	--	-	No Item
56	--	-	No Item
57	22668	1	Set Screw
58	23328	1	Bushing
59	18660	1	O-Ring, Metabo
60	56712	1	Slinger, Metabo
61	66380	1	Spacer
62	11206	1	Circuit Type C Decal (CE Only)
63	11207	1	Circuit Type D Decal (CE Only)
64	28323	1	CE Decal (CE Only)
65	28788	1	Manual Decal (CE Only)
66	22796	1	Sound Power Decal (CE Only)
	26428	1	Lock-Out Kit (Shipped Un-Installed)
	18142	1	Seal Kit