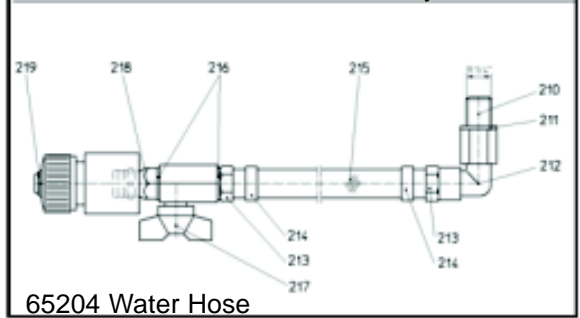


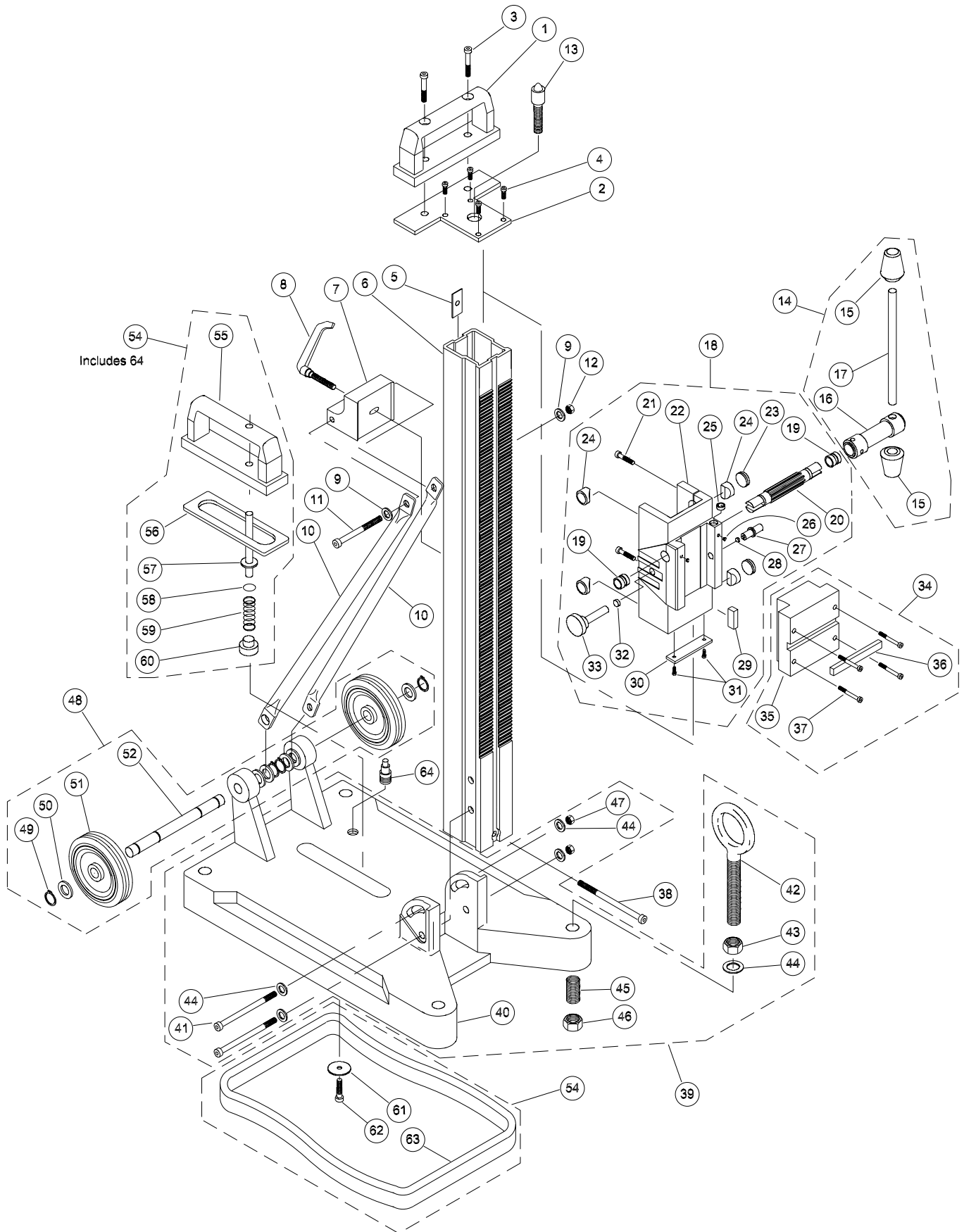
65203 Valve Assembly



65204 Water Hose

Item	Part No.	Qty	Description
Motor Assembly			
101	65207	1	Motor Housing
102	41254	1	Output Shaft
103	41255	1	Spur Gear
104	41256	1	Shaft Sealing
105	41257	1	Snap Ring
106	41258	1	Thrust Washer
107	41259	1	Thrust Bearing
108	41260	1	Shaft Spacer
109	65208	1	Spool Drive
110	65209	1	Drive
111	41263	3	O-Ring
112	41264	1	Spacer Plate
113	65211	1	Geroler Assembly
114	41266	1	Spool
115	41267	1	Bearing
116	65212	1	Cover
117	41264	1	Bearing Ring
118	41268	1	Snap Ring
119	41269	1	Needle Bearing
120	41270	1	Snap Ring
121	65213	5	HSH Capscrew
Three Speed Gearbox			
401	41271	1	Bearing Housing
402	41272	1	Output Shaft
404	41273	1	Spur Gear
405	41274	1	Notched Wheel
406	41275	1	Spur Gear
415	41276	1	Needle Bearing
418	41277	1	Ball
419	41278	1	Compression Spring
420	41279	1	Grooved Ball Bearing
421	41280	1	Snap Ring
422	41281	1	Washer
423	41284	1	Snap Ring
424	41286	2	Snap Ring
425	41287	1	Snap Ring
426	41298	1	Feather Key
427	41348	1	Snap Ring
	41349	1	Gearshift Lever Assy (incl. items 431, 432, 434)
431	41361	1	Gearshift Lever
432	41362	1	O-Ring
433	41373	1	Snap Ring
434	41375	1	Dowel Pin

Item	Part No.	Qty	Description
435	41376	2	Radial Shaft Sealing
436	41377	1	Radial Shaft Sealing
	41379	1	Countershaft Assembly
403	41380	1	Gear Shaft
407	41381	1	Spur Gear
408	41382	1	Washer
409	41383	4	Belleville Spring
410	41384	1	Nut
411	41385	1	Compression Ring
412	41386	1	Grooved Ball Bearing
413	41387	1	Snap Ring
414	41388	2	Shim
414	41389	1	Shim
416	41390	1	Dowel Pin
428	41391	1	Seal
429	41392	4	HSH Capscrew, M5 x 50
430	52661	2	Dowel Pin
65204 Water Hose			
210	41587	1	Connecting Piece
211	65205	1	Gasket
212		1	Elbow
213		2	Hose Connector
214		2	Clamp
215		1	Hose
216	41398	2	Gasket
217	65206	1	Stopcock
218		1	Connecting Piece
219	41588	1	Water-Stop Gardena 1/2 in.
Tool Decals			
	11207	1	Circuit Type D
	28409	1	Composit
	28323	1	CE
	65139	1	CD12 Name/GPM
65203 Valve Assembly			
429	41392	4	HSH Capscrew M5 x 50
45110 Seal Kit - CD10/CD12			



Item	Part No.	Qty	Description
1	65214	1	Handle
2	65215	1	Stop Plate
3	65216	2	HSH Capscrew
4	65217	4	HSFH Screw
5	65218	1	Clamp Plate
6	65219	1	Drill Stand Column
7	65220	1	Clamp Block
8	65221	1	Clamp Lever
9	65222	2	Washer
10	65223	2	Support Tube
11	65224	1	HSH Capscrew
12	65225	1	Hex Nut
13	65226	1	Centering Screw
14	65227	1	Handle Assy (incl. items 15-17)
15	65196	2	Knob
16	65185	1	Handle Base
17	65184	1	Arm
18	65228	1	Carriage Assy (incl. items 19-33)
19	65229	2	Threaded Bushing
20	65230	1	Geared Spindle
21	65231	2	HSH Capscrew
22	65232	1	Carriage
23	65233	2	Guide Adjusting Screw
24	65234	4	Carriage Guide
25	65235	1	Bullseye Level
26	65236	2	Pin
27	65237	1	Drill Mount Locking Screw
28	65238	1	Nib
29	65239	1	Square Key
30	65240	1	Stop Plate, Motor Mount
31	65241	2	HSFH Screw
32	65242	1	Carriage Lock Bushing
33	65243	1	Carriage Lock
34	65244	1	Dovetail Motor Mtg Block Assy (incl. items 35-37)
35	65245	1	Dovetail Motor Mtg Block
36	65246	1	Square Key, Long
37	65224	4	HSH Capscrew CD12100 Only
	60950	4	HSH Capscrew CD12200 Only
38	65247	1	HSH Capscrew
39	65248	1	Base Assy (incl. items 40-47)
40	65249	1	Base
41	65251	2	HSH Capscrew
42	65252	2	Eye Bolt
43	65253	2	Hex Nut
44	65254	4	Washer
45	65255	2	Sleeve
46	65256	2	Leveling Leg Nut
47	65257	2	Hex Nut
48	65258	1	Wheel and Axle Assy (incl. items 49-52)
49		2	Snap Ring
50		2	Washer
51		2	Wheel

Item	Part No.	Qty	Description
52		1	Axle
53	---	-	No Item
54		1	Vacuum Handle Assy (incl. items 55-64)
55	65259	1	Vacuum Handle
56	65260	1	Vacuum Handle Gasket
57	65261	1	Vacuum Release Button
58	65262	1	O-Ring
59	65263	1	Spring
60	65264	1	Vacuum Valve Seat
61	65265	1	Washer
62	65266	1	HSH Capscrew
63	65267	1	Base Gasket
64	65268	1	Hose Barb

CD12200 Only

Spacer Part Number 62416

Capscrew Part Number 60950 (Item # 37)