

ITEM	P/N	QTY	DESCRIPTION
1	04374	4	LOCK NUT 5/8 -18
2	08087	4	SIDERIDE
3	28494	1	TOP PLATE
4	28369	1	HANDLE
5	20508	2	PIVOT SCREW
6	20540	2	SPRING
7	20505	1	HANDLE, PIVOT BLOCK
8	20499	1	CHARGE VALVE
9	20510	1	MODIFIED PLUG
10	20500	2	SPIROL PIN 1/4 x 1
11	20511	1	LEVER
12	29045	1	TRIGGER HANDLE
13	20502	1	TRIGGER
14	02494	2	HANDLE GRIP
15	20541	2	SPRING
	07699		BUSHING ASSEMBLY (Incl items 16-19)
16	04056	1	ROD WIPER 5/16 x 9/16
17	01362	1	O-RING 2-011 R16
18	04057	1	BUSHING
19	00293	1	O-RING 2-115 R17
20	07479	1	ACCUMULATOR DIAPHRAGM
21	11588	1	ACCUMULATOR VALVE BLOCK
22	04058	1	SPRING
23	01652	2	PIGTAIL HOSE ASSEMBLY
24	20515	1	VALVE SPOOL
25	09640	1	PORTING BLOCK
26	04379	2	O-RING 2-145 R17
27	04381	2	BACK-UP RING
28	19443	1	PISTON
29	02900	2	ROLL PIN
30	07480	1	AUTOMATIC VALVE BODY
31	04571	2	PUSH PIN
32	04605	4	PUSH PIN
33	04382	1	AUTOMATIC VALVE
34	12140	1	FLOW SLEEVE
35	04383	1	FLOW SLEEVE TUBE
36	12142	1	DECAL, NAME TAG
37	12147	2	HHCS 5/8 -18 UNF x 6-1/2
38	02022	1	O-RING 2-228 R16
39	34092	1	CUP SEAL
40	09642	1	BACK-UP WASHER
41	03127	1	WIPER RING
42	12144	1	ADAPTER BLOCK
43	12143	1	UPPER ANVIL STOP
44	12146	1	SPRING
45	12141	1	ANVIL
	12149		BREAKER FOOT ASSEMBLY 1-1/8
	12150		BREAKER FOOT ASSEMBLY 1-1/4†
46	12145	1	ANVIL BLOCK*
47	01837	1	LATCH CASTING*
48	01744	1	SPRING*
49	08411	1	DETENT*
50	12151	1	BREAKER FOOT*
51	12155	1	SPIROL PIN*
52	12153	1	HEX BUSHING 1-1/8*
	12154	1	HEX BUSING 1-1/4* †
53	12307	2	LOCKING FLANGE NUT
54	18903	1	COIL SPRING*
55	12148	2	SPRING
56	25059	1	MALE COUPLER
57	24058	1	FEMALE COUPLER
	49000	1	MANUAL, OPERATION

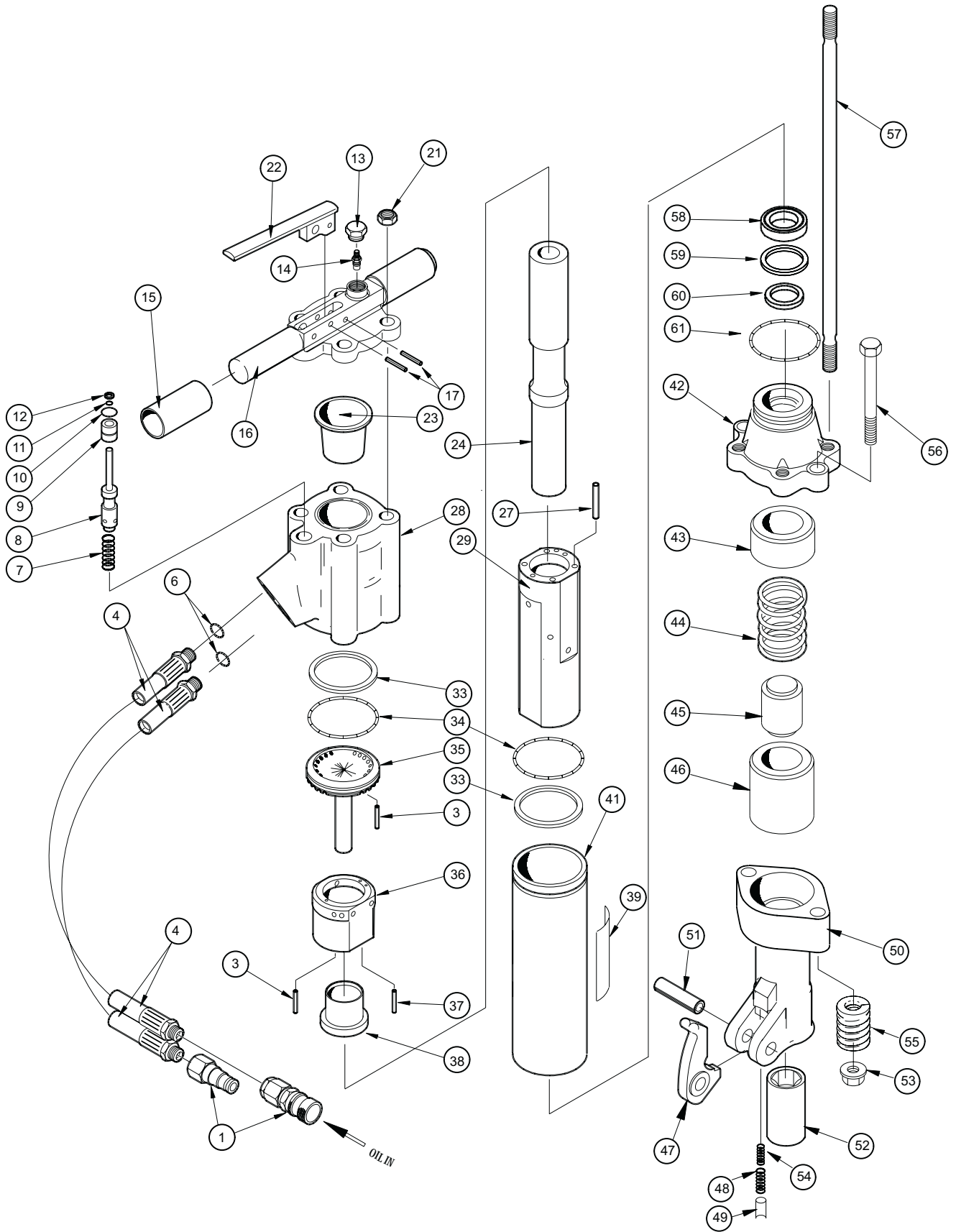
MODEL DESIGNATIONS

BR72125S	1-1/8 Spring Handle Model
BR72135S	1-1/4 Spring Handle Model

SEAL KIT PART NUMBER 13552

00293	O-RING	1
01362	O-RING	1
01604	O-RING	1
01605	O-RING	2
02022	O-RING	1
03127	ROD WIPER	1
04056	ROD WIPER	1
04379	O-RING	2
04381	BACK-UP RING	2
09467	CUP SEAL	1

* PART OF BREAKER FOOT ASSEMBLY
 † MODEL BR72135S ONLY



ITEM	P/N	QTY	DESCRIPTION
1	24069	1	COUPLER SET
2			NO ITEM
3	02900	2	ROLL PIN 1/8 x 1/2
4	09546	2	HOSE ASSEMBLY (Incl. Item 6)
5			NO ITEM
6	01605	2	O-RING (Incl. Item 4)
7	04058	1	SPRING
8	04077	1	VALVE SPOOL
9	04057	1	BUSHING
10	00293	1	O-RING 11/16 x 7/8 x 3/32
11	01362	1	O-RING 5/16 x 7/16 x 1/16
12	04056	1	ROD WIPER
13	07493	1	PLUG
14	20499	1	CHARGE VALVE
	09349	1	VALVE CAP (Not Pictured)
15	02494	2	HANDLE GRIP
16	07483	1	HANDLE
17	07492	2	SPIROL PIN 1/4 x 1
18			NO ITEM
19			NO ITEM
20			NO ITEM
21	04374	4	LOCKNUT 5/8 -18
22	04371	1	TRIGGER
23	07479	1	ACCUMULATOR DIAPHRAGM
24	19443	1	PISTON
25			NO ITEM
26			NO ITEM
27	04605	4	PUSH PIN
28	11588	1	ACCUMULATOR VALVE BLOCK
29	12140	1	FLOW SLEEVE
30			NO ITEM
31			NO ITEM
32			NO ITEM
33	04381	2	BACK-UP RING
34	04379	2	O-RING 2-9/16 x 2-3/4 x 3/32
35	09640	1	PORTING BLOCK
36	07480	1	AUTOMATIC VALVE BODY
37	04571	2	PUSH PIN
38	04382	1	AUTOMATIC VALVE
39	12142	1	DECAL, NAME TAG
40			NO ITEM
41	04383	1	FLOW SLEEVE TUBE
42	12144	1	ADAPTER BLOCK
43	12143	1	UPPER ANVIL STOP
44	12146	1	SPRING
45	12141	1	ANVIL
46	12145	1	ANVIL BLOCK
47	01837	1	LATCH*
48	01744	1	SPRING*
49	08411	1	DETENT*
50	12151	1	BREAKER FOOT*
51	12155	1	SPIROL PIN
52	12153	1	HEX BUSHING (BR72120)*
	12154	1	HEX BUSHING (BR72130)*
53	12307	2	LOCKING FLANGE NUT 5/8 -18
54	18903	1	SPRING*
55	12148	2	SPRING*
56	12147	2	CAPSCREW, 5/8-18 x 6-1/2 HEX
57	31709	4	SIDE ROD
58	34092	1	CUP SEAL
59	09642	1	BACK-UP WASHER
60	03127	1	ROD WIPER
61	02022	1	O-RING

MODEL DESIGNATIONS

BR72120	1-1/8 T-Handle Model
BR72130	1-1/4 T-Handle Model

SEAL KIT PART NUMBER 13552

00293	O-RING	1
01362	O-RING	1
01605	O-RING	2
02022	O-RING	1
03127	ROD WIPER	1
04056	ROD WIPER	1
04379	O-RING	2
09642	BACK-UP RING	2
34092	CUP SEAL	1

* PART OF BREAKER FOOT ASSEMBLY