

BR67 PARTS LIST

Item No	ANTI-VIB HANDLE		STANDARD HANDLE		Qty	Description
	Without Trigger Lock	With Trigger Lock	Without Trigger Lock	With Trigger Lock		
1	24067	24067	----	----	1	Retaining Ring
2	04055	04055	04055	04055	1	Washer
3	04056	04056	04056	04056	1	Rod Wiper
4	26451	26451	04057	04057	1	Bushing
5	01362	01362	01362	01362	1	O-ring, 5/16 x 7/16 x 1/16 ●
6	00293	00293	00293	00293	1	O-ring, 11/16 x 7/8 x 3/32 ●
7	20515	20515	04077	04077	1	Valve Spool
8	04058	04058	04058	04058	1	Spring
9	07628	07628	----	----	4	Capscrew
10	20511	20511	----	----	1	Lever
11	28369	28369	----	----	1	Handle
12	24958	24958	04053	11434	1	Trigger
13	29045	31565	----	----	1	Trigger Handle
14	----	26599	----	----	1	Pin
15	----	24964	----	----	1	Spring
16	----	16607	----	----	1	SAE Plug, -10
17	04070	04070	04070	04070	1	Piston
18	----	24948	----	----	1	Trigger Lock
19	----	29508	----	----	1	Pin
20	20510	20510	----	----	1	Plug
21	20499	20499	04051	04051	1	Charge Valve
22	----	21089	----	----	1	Roll Pin
23	20500	20500	----	----	2	Spirol Pin
24	20541	20541	----	----	2	Spring
25	20498	20498	----	----	2	Spring
26	02494	02494	02494	02494	2	Handle Grip
27	11207	11207	----	11207	1	Circuit Type "D" Sticker
28	01605	01605	01605	01605	2	O-ring ●
29	09546	09546	09546	09546	2	Hose Assy (Incl item 28)
30	12832	12832	04350	04350	1	Orifice Plug
31	06891	06891	----	----	1	O-ring, -912, R17 ●
32	20510	20510	----	----	1	Plug
33	26452	26452	----	----	1	Sintered Filter
34	04795	04795	----	----	2	O-ring, 2-218-70D ●
35	16732	16732	----	----	1	O-ring, 2-230-90D ●
36	26448	26448	----	----	1	Spacer
37	04062	04062	04062	04062	1	Back-up Washer
38	03973	03973	----	----	1	Male Coupler Body
39	03972	03972	----	----	1	Female Coupler Body
40	04068	04068	04068	04068	1	Flow Sleeve Tube
41	29203	29203	----	----	1	Name Tag, BR67
42	04064	04064	04064	04064	1	Washer
43	04063	04063	04063	04063	1	Cup Seal
44	04054	04054	04054	04054	2	O-ring, 2-7/8 x 3-1/8 x 1/8 ●
45	04069	04069	04069	04069	1	Flow Sleeve
46	04071	04071	04071	04071	1	Side Rod
47	04065	04065	04065	04065	1	Automatic Valve
48	04571	04571	04571	04571	2	Push Pin
49	20508	20508	----	----	2	Pivot Screw
50	26596	26596	----	----	1	Accumulator Valve Block
51	26574	26574	04059	04059	1	Accumulator Diaphragm
52	26449	26449	----	----	1	Accumulator Plug
53	04081	04081	04081	04081	1	Hex Bushing, 1-1/8 x 6 in. (for 04598 foot)
	04597	04597	04597	04597	1	Hex Bushing, 1-1/4 x 6 in. (for 04598 foot)
54	04067	04067	04067	04067	4	Push Pin
55	07890	07890	07890	07890	1	Roll Pin
56	04066	04066	04066	04066	1	Automatic Valve Body
57	01269	01269	01269	01269	2	Rubber Sleeve
58	04985	04985	04985	04985	2	Spring Washer
59	----	----	07971	11435	1	Handle
60	04983	04983	04983	04983	1	Bolt
61	04598	04598	04598	04598	1	Foot (for 04081 or 04597 Hex Bushing) (Incl 63 & 64)
	04076	04076	04076	04076	1	Foot Assy, 1-1/8 x 6 in. Hex (USA & CE except UK models only) (Incl items 53, 57, 58, 60, 61, 63, 64 & 66-70)
	04599	04599	04599	04599	1	Foot Assy, 1-1/4 x 6 in. Hex (USA & CE except UK

Item No	ANTI-VIB HANDLE		STANDARD HANDLE		Qty	Description
	Without Trigger Lock	With Trigger Lock	Without Trigger Lock	With Trigger Lock		
62	04073	04073	04073	04073	1	models only) (incl items 53, 57, 58, 60, 61, 63, 64 & 66-70)
63	04074	04074	04074	04074	1	O-ring, 2-5/8 x 2-7/8 x 1/8 90D ●
64	05464	05464	05464	05464	1	Rod Wiper ●
65	04072	04072	04072	04072	1	Seal Insert
66	04075	04075	04075	04075	1	Cup Seal ●
67	01837	01837	01837	01837	1	Side Rod Nut
68	04984	04984	04984	04984	1	Latch
69	04983	04983	04983	04983	1	Stop Nut
70	08411	08411	08411	08411	1	Spring
71	----	28322	----	28322	1	Detent
72	28409	28409	28409	28409	1	CE Sticker (CE models only)
73	11211	11211	11211	11211	1	Composite Sticker
74	----	----	04050	04050	1	Sound Power Level Sticker
75	----	----	04052	04052	1	Valve Cap Assy
76	----	----	00844	00844	1	O-ring, 1.047 x 1.279 x .116 90D ●
77	----	----	22891	22891	1	Spirol Pin
78	----	----	----	----	1	Spring Pin
79	----	----	04061	04061	1	Sticker
80	----	----	----	11430	1	Accumulator Chamber
81	----	----	07517	07517	1	Spring
	----	----	07518	07518	1	Hex Bushing, 1-1/8 x 6 in. (for 11614 EZ Foot)
	11230	----	----	11230	1	Hex Bushing, 1-1/4 x 6 in. (for 11614 EZ Foot)
82	----	07514	----	07514	1	Hex Bushing, 1-1/4 x 6-1/4 in. (for 12294 EZ foot)
83	----	08115	08115	08115	1	Spring
	----	08116	08116	08116	1	Collar Support, 1-1/8 in. (for 11614 EZ Foot)
	11234	----	11234	11234	1	Collar Support, 1-1/4 in. (for 11614 EZ Foot)
84	----	----	28380	28380	1	Collar Support, 1-1/4 in. (for 12294 EZ foot)
85	----	07522	07522	07522	1	Model Sticker (CE models only)
86	----	12542	----	----	1	Retaining Ring
	----	----	28376	28376	1	Name Tag
	----	----	11614	11614	1	Stanley Label
87	----	12294	----	12294	1	Foot, EZ (for 07517 or 07518 Bushing) (USA & CE except UK models only) (Incl 64 & 87)
	----	07525	07525	07525	1	Foot, EZ, (for 11230 Bushing) (UK models only) (Incl 64 & 87)
	----	07524	07524	07524	1	Foot Assy, EZ, 1-1/8 x 6 Hex (USA & CE except UK models only) (Incl items 57, 58, 60, 63, 64, 66-70, 81-83, 85, 87)
88	----	----	01003	01003	1	Foot Assy, EZ, 1-1/4 x 6 Hex (USA & CE except UK models only) (Incl items 57, 58, 60, 63, 64, 66-70, 81-83, 85, 87)
89	----	----	11435	11435	1	Foot Assy, EZ, 1-1/4 x 6-1/4 Hex (UK models only) (Incl items 53, 57, 58, 60, 61, 63, 64 & 66-70, 81-83, 85, 87)
90	----	----	11431	11431	1	Button
91	----	----	11432	11432	1	Handle
92	26450	26450	----	----	1	Lock Pin
93	----	11208	----	11208	1	Key
94	----	00077	----	00077	1	Pivot Screw
	----	----	----	----	1	Top Plate
	----	----	----	----	1	Hex Shank Sticker (UK models only)
	----	----	----	----	1	Retaining Ring

FOR MORE SPECIFIC DESCRIPTIONS OF THE VARIOUS BREAKER MODELS, SEE "MODEL DESCRIPTIONS" ON PAGE 8.

NOTE: Use Part Number and Part Name when ordering.

SEAL KIT 04596

• Denotes part in seal kit

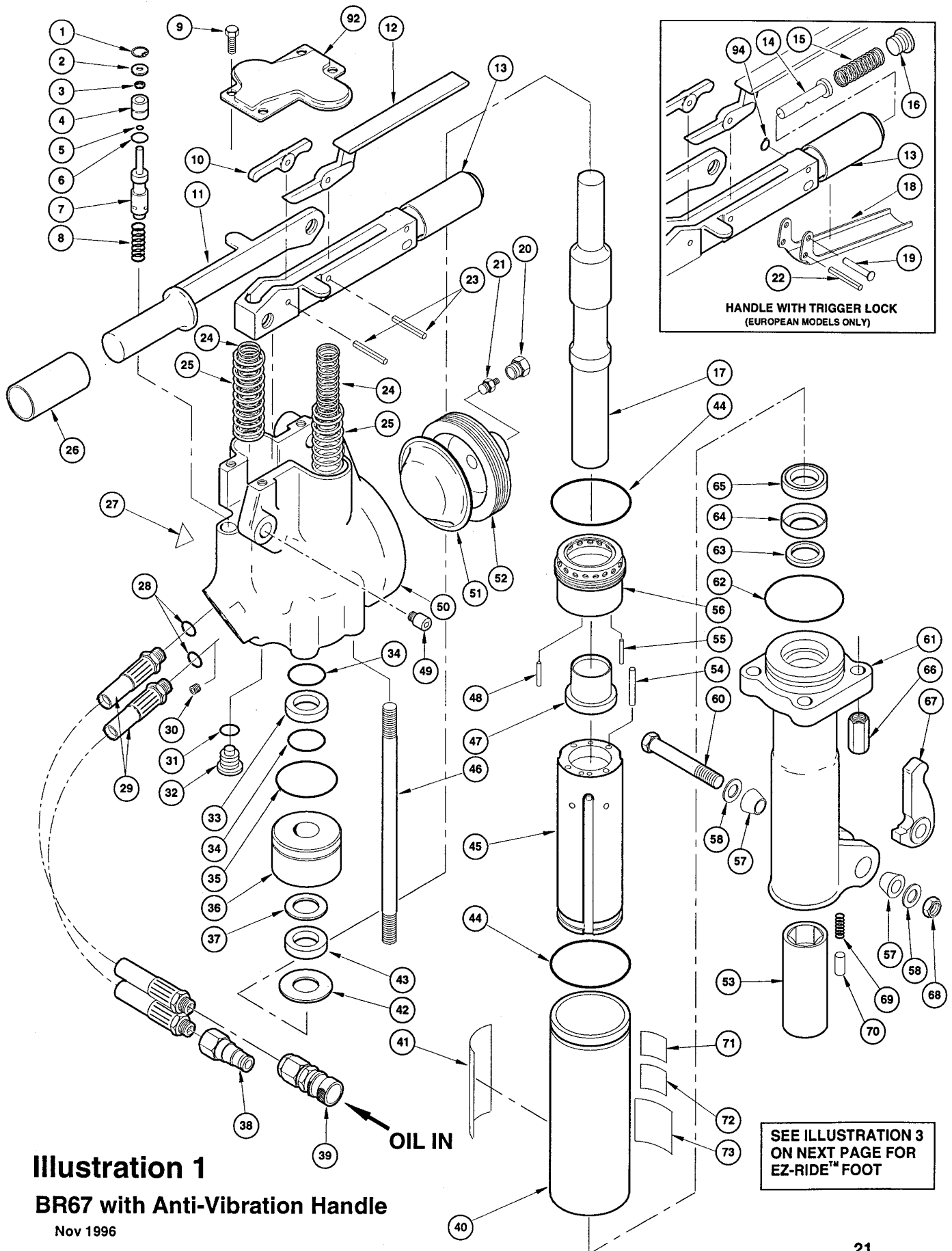


Illustration 1
BR67 with Anti-Vibration Handle

Nov 1996

Illustration 2

BR67 with Standard Handle

Nov 1996

