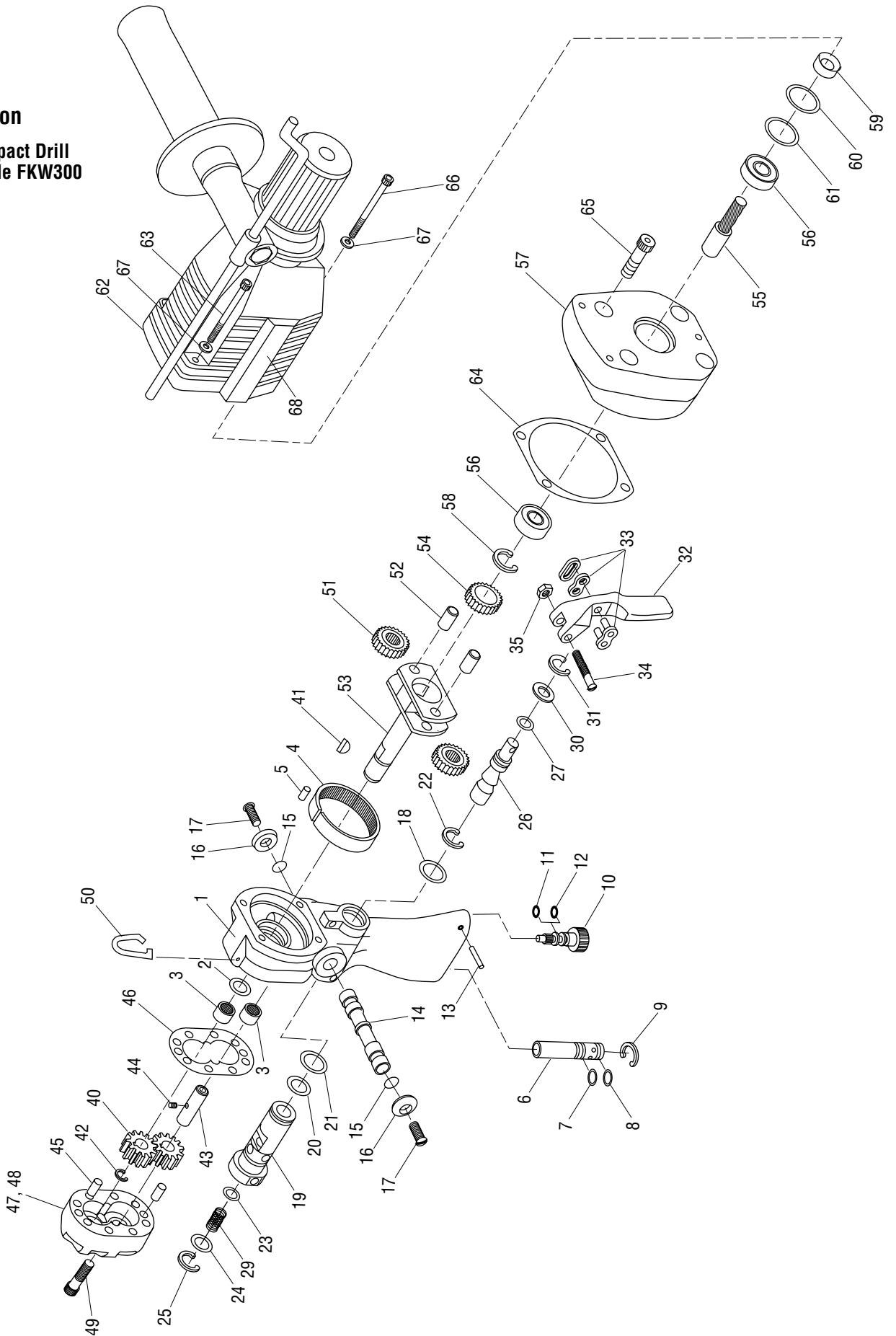


Illustration
Rotary Impact Drill
Serial Code FKW300



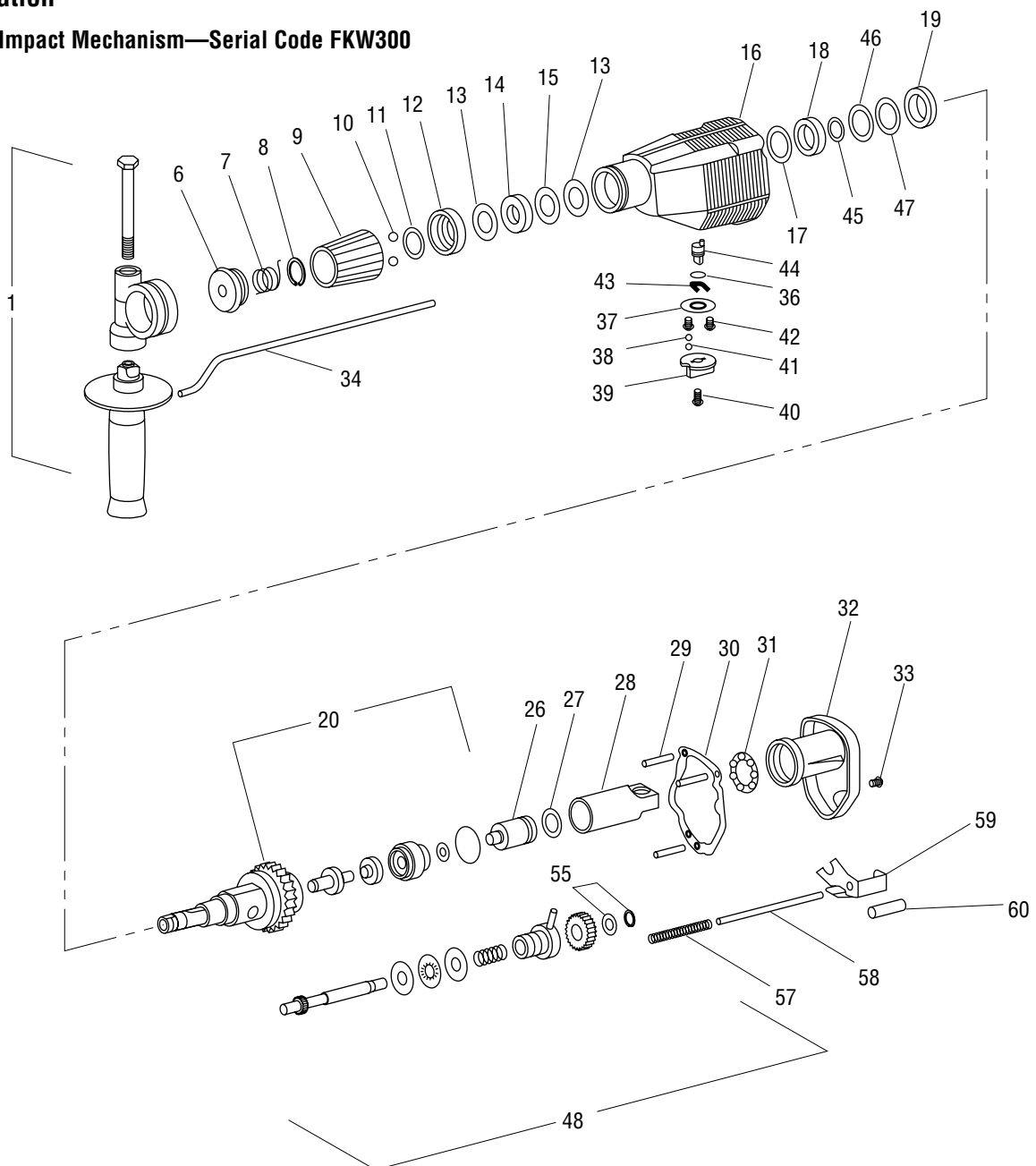
Parts List

Rotary Impact Drill—Serial Code FKW300

KEY	UPC NO. 78-3310-	PART NO.	DESCRIPTION	QTY.	KEY	UPC NO. 78-3310-	PART NO.	DESCRIPTION	QTY.
1	42482	138339	Handle Assembly (includes items 2–4)	1	41	41592	F016729	Woodruff Key, #213, .125 x .375"	1
2*	41503	F015305	O-ring, .500 x .687 x .093"–80	1	42	41621	F017010	Retaining Ring, .437"	1
3	41591	F016728	Bearing, Needle, .439 x .625 x .500"	4	43	40168	104110K	Shaft, Idler	1
4	40152	103130	Gear, Internal Tooth	1	44	41593	F016730	Pin, Drive, .123 x .209", Square Head	1
5	41809	F020886	Pin, Dowel, .125 x .500"	1	45	41624	F017014	Pin, Dowel, .250 x .625"	4
6	43302	138338	Flow Control Assembly (includes items 7 and 8)	1	46*	41595	F016732	Gasket, 2.09 x 3.09 x .0015"	1
7*	41491	F015261	O-ring, .500 x .625 x .062"–70	1	47	40412	118070	Cap (includes two of item 48)	1
8*	41267	F017078	O-ring, .437 x .562 x .062"–70	1	48	41591	F016728	Bearing, Needle, .439 x .625 x .500"	2
9	41600	F016737	Retaining Ring, .687"	1	49	41616	F016807	Screw, Cap, 1/4–20 x 1.00", Socket Head	8
10	41094	138311	Stem	1	50	43817	F023463	Lift Ring	1
11*	42729	L080005	O-ring, .250 x .375 x .062"	1	51	41080	137954	Gear Assembly	2
12*	41843	F021471	Backup Ring, Single Turn, .265 x .371 x .048"	1	52	41624	F017014	Pin, Dowel, .250 x .625"	4
13*	42053	F023467	Pin, Roll, .078 x .875"	1	53	41079	137951	Shaft, Drive	1
14	40215	105427	Valve Spool	1	54	41075	137857	Gear	1
15*	41489	F015257	O-ring, .437 x .562 x .062"–68	2	55	41074	137787	Shaft	1
16	40228	106576	Button, Spool End	2	56	42044	F023355	Bearing, Ball, .315 x .866 x .275"	2
17	41715	F018627	Screw, Cap, #10–24 x .500", Flat Head	2	57	43114	138065	Adapter	1
18*	41559	F015679	O-ring, .875 x 1.00 x .062"–70	1	58	41457	F014100	Retaining Ring, .866"	1
19	41097	138315	Sleeve	1	59	42040	F023349	Slinger, .315 x .576 x .254"	1
20*	42089	F024419	O-ring, .787 x .889 x .051"–70	1	60*	42039	F023348	O-ring, .722 x .850 x .065	1
21*	41534	F015403	O-ring, .750 x .875 x .062"–90	1	61	42038	F023347	Washer, Flat, .693 x .856 x .008	1
22	41298	F009117	Retaining Ring, .875"	1	62	41082	138067	Rotary Impact Assembly (see Illustration—Rotary Impact Mechanism—Serial Code FKW300)	1
23*	41371	F011762	O-ring, .437 x .625 x .093"–90D	1		42041	F023350	Handle	1
24	41095	138312	Cap	1		42042	F023351	Gauge, Depth	1
25	41712	F018511	Retaining Ring, .750"	1	63	42045	F023356	Screw, Cap, #6–32 x 2.00", Socket Head	2
26	48681	48681	Spool, Control	1	64*	40134	101524	Gasket, Shim	1
27*	41585	F016327	O-ring, .312 x .437 x .062"–70	1	65	41616	F016807	Screw, Cap, 1/4–20 x 1.00", Socket Head	4
29	42865	L089019	Spring, Valve Plunger	1	66	42046	F023357	Screw, Cap, #6–32 x 1.75, Socket Head	1
30	41096	138313	Washer, .355 x .615 x .030"	1	67	42056	F023485	Washer, Flat, .156 x .312 x .035"	3
31	41297	F008797	Retaining Ring, .625"	1	68	43958	138621	Decal	1
32	40406	118061	Trigger	1		41547	F015482K1	Decal, Fairmont	1
33	41636	F017345	Connecting Link, #41, .500" Pitch	1					
34	41583	F016230	Screw, Machine, #10–24 x 1.250", Round Head	1					
35	41676	F018029K	Nut, Hex, #10–24, Lock	1					
40	41630	F017105	Gear, 11-Tooth	2	*	41115	139000	Packing Kit (includes all items marked with an asterisk)	

Illustration

Rotary Impact Mechanism—Serial Code FKW300



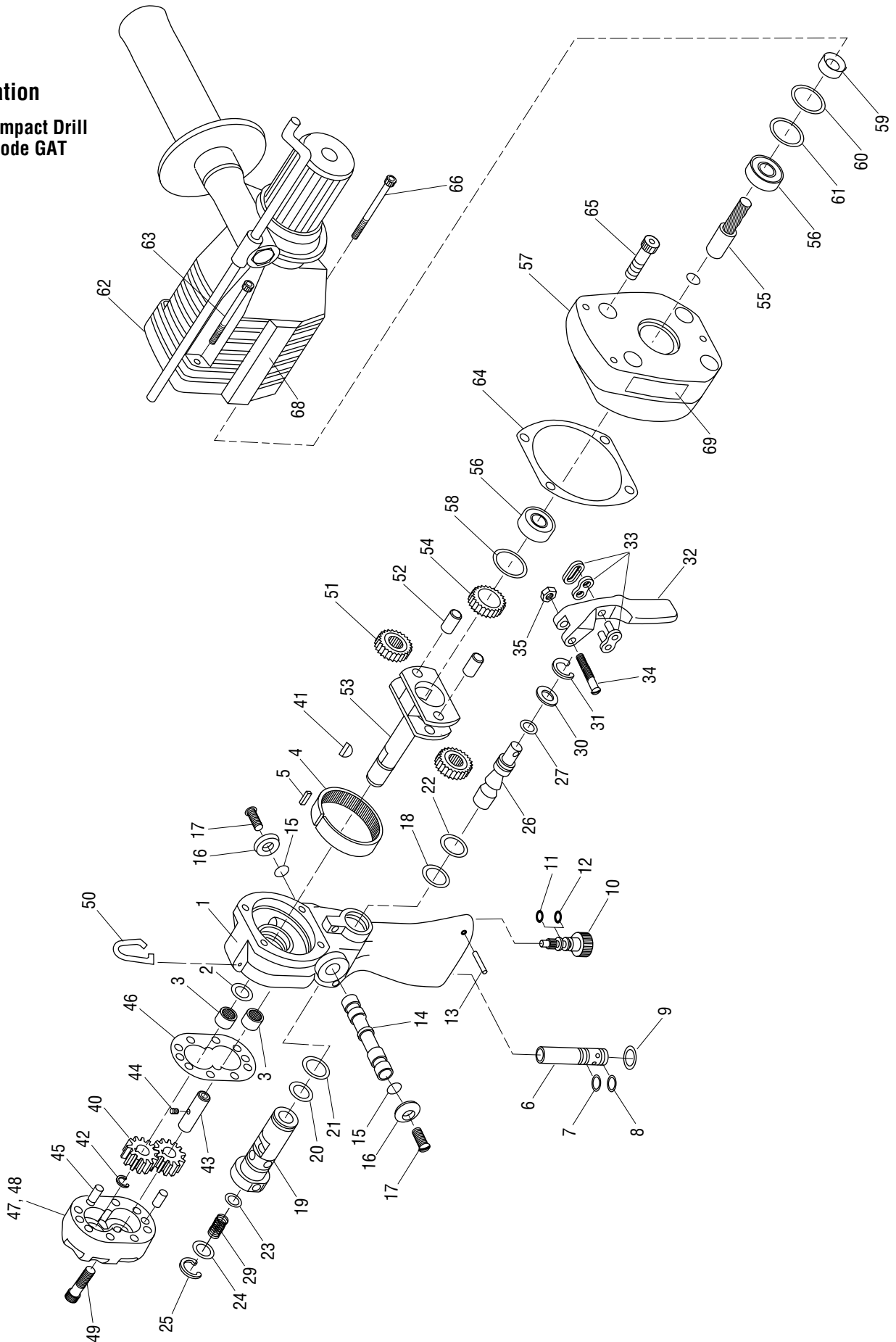
Parts List

Rotary Impact Mechanism—Serial Code FKW300

KEY	UPC NO. 78-3310-	PART NO.	DESCRIPTION	QTY.	KEY	UPC NO. 78-3310-	PART NO.	DESCRIPTION	QTY.
	41082	138067	ROTARY IMPACT MECHANISM	1	31	42166	FOR003774	Thrust Bearing	1
1	42041	F023350	HANDLE ASSEMBLY	1	32	48532	48532	Intermediate Plate	1
			Screw	1	33	43719	43719	Phillips Screw	1
			Handle Clamp	1	34	42042	F023351	Depth Gauge	1
			Side Handle	1	36	42147	FOR003543	O-ring	1
6	42142	FOR003537	Dust Cover	1	37	42156	FOR003713	Plate	1
7	42164	FOR003772	Coil Spring	1	38	42157	FOR003714	Ball	1
8	43715	43715	Snap Ring	1	39	42158	FOR003715	Shift Knob	1
9	42152	FOR003709	COLLAR ASSEMBLY	1	40	42159	FOR003716	Cylinder Head Screw	1
10	49075	49075	Ball	2	41	42160	FOR003717	Pressure Spring	1
11	49076	49076	Spring	1	42	42161	FOR003718	Countersink Screw	2
12	49077	49077	Sealing Ring	1	43	42162	FOR003719	Retainer	1
13	49078	49078	Washer	2	44	42163	FOR003720	Shift Pin	1
14	42139	FOR003528	Felt Seal	1	45	43720	43720	Cam Segment	1
15	43716	43716	Washer	1	46	43721	43721	Washer	1
16	43717	43717	Gear Housing with Bushing	1	47	43722	43722	Washer	1
17	43718	43718	Washer	1	48	42148	FOR003547	ECCENTRIC ASSEMBLY	1
18	42143	FOR003538	Ball Bearing	1			FOR003544	Thrust Bearing	1
19	42144	FOR003539	Bushing	1			FOR003545	Washer	2
20	42145	FOR003540	HAMMER WITH CLUTCH	1				Spring	1
			Anvil	1			FOR003546	Eccenter Drive	1
			Retainer	1				Spur Gear	1
			Striker Bushing	1				Gear Shaft	1
			Damper	1	55	42149	FOR003548	THRUST BEARING AND SPACER	1
			O-ring	1				Thrust Bearing	1
26	42146	FOR003541	Striker with O-ring	1				Spacer	1
28	42165	FOR003773	Striker Sleeve	1	57	43723	43723	Spring	1
29	42153	FOR003710	Sleeve	3	58	42155	FOR003712	Shift Rod	1
30	42138	FOR003527	Gasket	1	59	42154	FOR003711	Shift Dog	1

Illustration

**Rotary Impact Drill
Serial Code GAT**



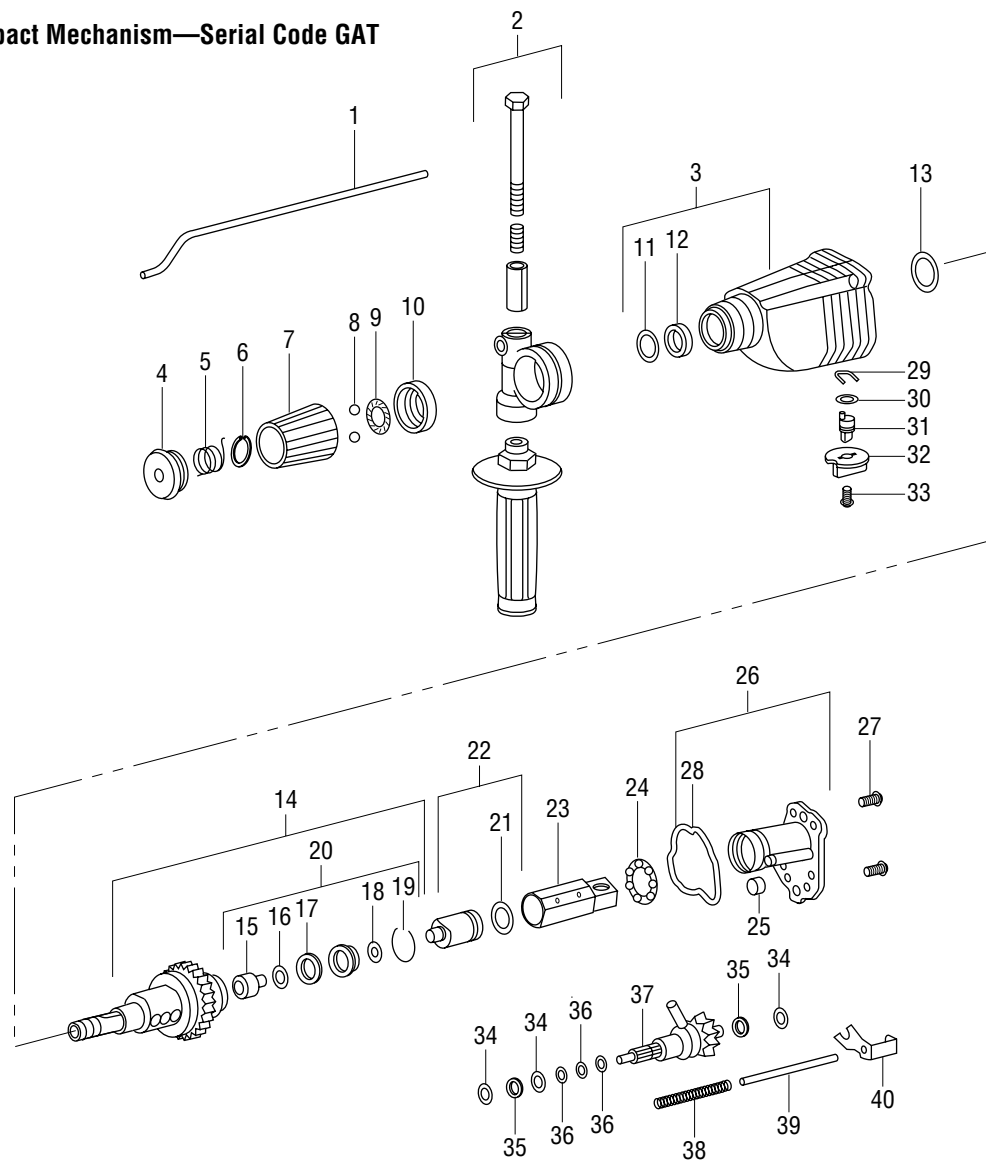
Parts List

Rotary Impact Drill—Serial Code GAT

KEY	UPC NO. 78-3310-	PART NO.	DESCRIPTION	QTY.	KEY	UPC NO. 78-3310-	PART NO.	DESCRIPTION	QTY.
	48759		HANDLE AND MOTOR ASSEMBLY	1	35	41676	F018029K	Hex Elastic Stop Nut, #10	1
1	43482	138339	HANDLE ASSEMBLY WITH ORIFICE, BEARINGS and GEAR	1	40	41594	F016731	Gear, 11 Tooth	2
2*	41503	F015305	O-ring, 1/2 x 3/32-90	1	41	40115	101382	Key, 1/8 x 3/8	1
3	41591	F016728	Needle Bearing	2	42	41621	F017010	Retaining Ring, 25/64 External	1
4	40152	103130	Internal Gear	1	43	40114	101381K	Shaft Idler	1
5	42092	F024482	Spiral Pin, 1/8 x 1/2	1	44	41593	F016730	Drive Pin	1
6	43302	138338	FLOW CONTROL CARTRIDGE	1	45	41624	F017014	Dowel Pin, 1/4 x 5/8	2
7*	41491	F015261	O-ring, 1/2 x 1/16-70	1	46*	41595	F016732	Gasket	1
8*	41627	F017078	O-ring, 7/16 x 1/16-70	1	47	40405	118059	MOTOR CAP	1
9	41600	F016737	Retaining Ring, 11/16 Internal	1	48	41591	F016728	Needle Bearing	2
10	41094	138311	Screw, Adjustable Torque Output	1	49	41616	F016807	Socket Head Cap Screw, 1/4 x 1	8
11*	42729	L080005	O-ring, 1/4 x 1/16-70	1	50	43817	F023463	Hook, Lift	1
12*	41843	F021471	Back-Up Ring	1	51	41080	137954	Gear, Planet (21 teeth with needle bearing)	2
13*	42053	F023467	Spring Pin, 5/64 x 7/8	1	52	41624	F017014	Dowel Pin, 1/4 x 5/8"	2
14	40215	105427	Spool, Directional	1	53	49590	49590	Shaft, Gear Carrier	1
15*	41489	F015257	O-ring, 7/16 x 1/16-68	2	54	41075	137857	Gear, Drive (21 Teeth)	1
16	40228	106576	Button	2	55	49329	49329	Shaft, Drive	1
17	41715	F018627	Flat Socket Head Cap Screw, #10 x 1/2	2	56	42044	F023355	Ball Bearing, 5/16 I.D.	2
18*	41559	F015679	O-ring, 7/8 x 1/16-70	1	57	49328	49328	Adapter	1
19	41097	138315	Sleeve, Super Spool	1	58	41457	F014100	Retaining Ring, Internal 7/8"	1
20*	42089	F024419	O-ring, .787 x .051-70	1	59	55068	905 5068.4	Slinger	1
21*	41534	F015403	O-ring, 3/4 x 1/16-90	1	60*	42039	F023348	O-ring, .722 x .850 x .065"	1
22	41298	F009117	Retaining Ring, 7/8 External	1	61	42038	F023347	Washer, .694 x .856 x .008"	1
23*	41371	F011762	O-ring, 7/16 x 3/32-90	1	62	49330	49330	ROTARY IMPACT MECHANISM (see Illustration—Rotary Impact Mechanism—Serial Code GAT)	1
24	41095	138312	Cap	1		42041	F023350	Auxiliary Handle	1
25	41712	F018511	Retaining Ring, 3/4 Internal	1		42042	F023351	Depth Gauge	1
26	48681	48681	Spool, Control	1	63	55200	905 5200.8	Cap Screw, #10-24 x 1.50" Socket Head	2
27*	41585	F016327	O-ring, 5/16 x 1/16-70	1	64*	40134	101524	Gasket	1
29	42865	L089019	Spring, Compression	1	65	41616	F016807	Cap Screw, 1/4-20 x 1" Socket Head	4
30	41096	138313	Washer	1	66	41597	F016734	Cap Screw, #10-24 x 1" Socket Head	1
31	41297	F008797	Retaining Ring, 5/8 Internal	1	68	43958	138621	Decal, Max. Pressure and Flow	1
32	40406	118061	Trigger	1	69	48513	48513	Decal, Fairmont	1
33	41636	F017345	Connecting Link	1					
34	41583	F016230	Slotted Round Head Machine Screw, #10 x 1-1/4	1	*	41115	139000	Packing Kit (includes all items marked with an asterisk)	

Illustration

Rotary Impact Mechanism—Serial Code GAT



Parts List

Rotary Impact Mechanism—Serial Code GAT

KEY	UPC NO. 78-3310-	PART NO.	DESCRIPTION	QTY.	KEY	UPC NO. 78-3310-	PART NO.	DESCRIPTION	QTY.
1	42042	F023351	Depth Gauge	1	21	49937	49937	Sealing Ring	1
2	49916	49916	HANDLE ASSEMBLY	1	22	42146	FOR003541	STRIKER	1
3	49920	49920	GEAR HOUSING WITH BUSHING	1				Sealing Ring	1
			Seal	1	23	49923	49923	Exciter Sleeve	1
			Needle Sleeve	1	24	42166	FOR003774	Ball Holder	1
4	42142	FOR003537	Rubber Cap	1	25	49921	49921	Needle Sleeve	1
5	42164	FOR003772	Torsion Spring	1	26	49938	49938	GEAR FLANGE ASSEMBLY	1
6	43715	43715	Retaining Ring	1				Gear Flange	1
7	49927	49927	Adjusting Ring	1				Needle Sleeve	1
8	49075	49075	Ball	2				Gasket	1
9	49076	49076	Tension-spring Ring	1	27	43719	43719	Fillister Head Screw	2
10	49077	49077	Spacer Ring	1	28	49924	49924	Gasket	1
11	49928	49928	Seal	1	29	42162	FOR003719	Locking Plate	1
12	49929	49929	Needle Sleeve	1	30	42147	FOR003543	O-ring	1
13	49930	49930	Supporting Disc	1	31	49919	49919	Shift Bolt	1
14	49922	49922	INTERMEDIATE GEAR ASSEMBLY	1	32	49918	49918	Control Knob	1
			Intermediate Gear	1	33	49917	49917	Cap Screw	1
			Catching Sleeve Assembly	1	34	49939	49939	Washer	3
15	49931	49931	Intermediate Striker	1	35	49940	49940	Axial Needle Bearing	2
16	49932	49932	O-ring	1	36	49941	49941	Cup Spring	3
17	49933	49933	Damping Ring	1	37	49942	49942	Intermediate Gear Assembly	1
18	49934	49934	O-ring	1	38	49943	49943	Pressure Spring	1
19	49935	49935	Cir-clip	1	39	49944	49944	Guide Bolt	1
20	49936	49936	CATCHING SLEEVE ASSEMBLY	1	40	49945	49945	Shift Fork	1
			Intermediate Striker	1					
			O-ring	1					
			Damping Ring	1					
			O-ring	1					
			Cir-clip	1					