

Illustration

Rotary Impact Drill
Effective for Serial Numbers
through FKW299

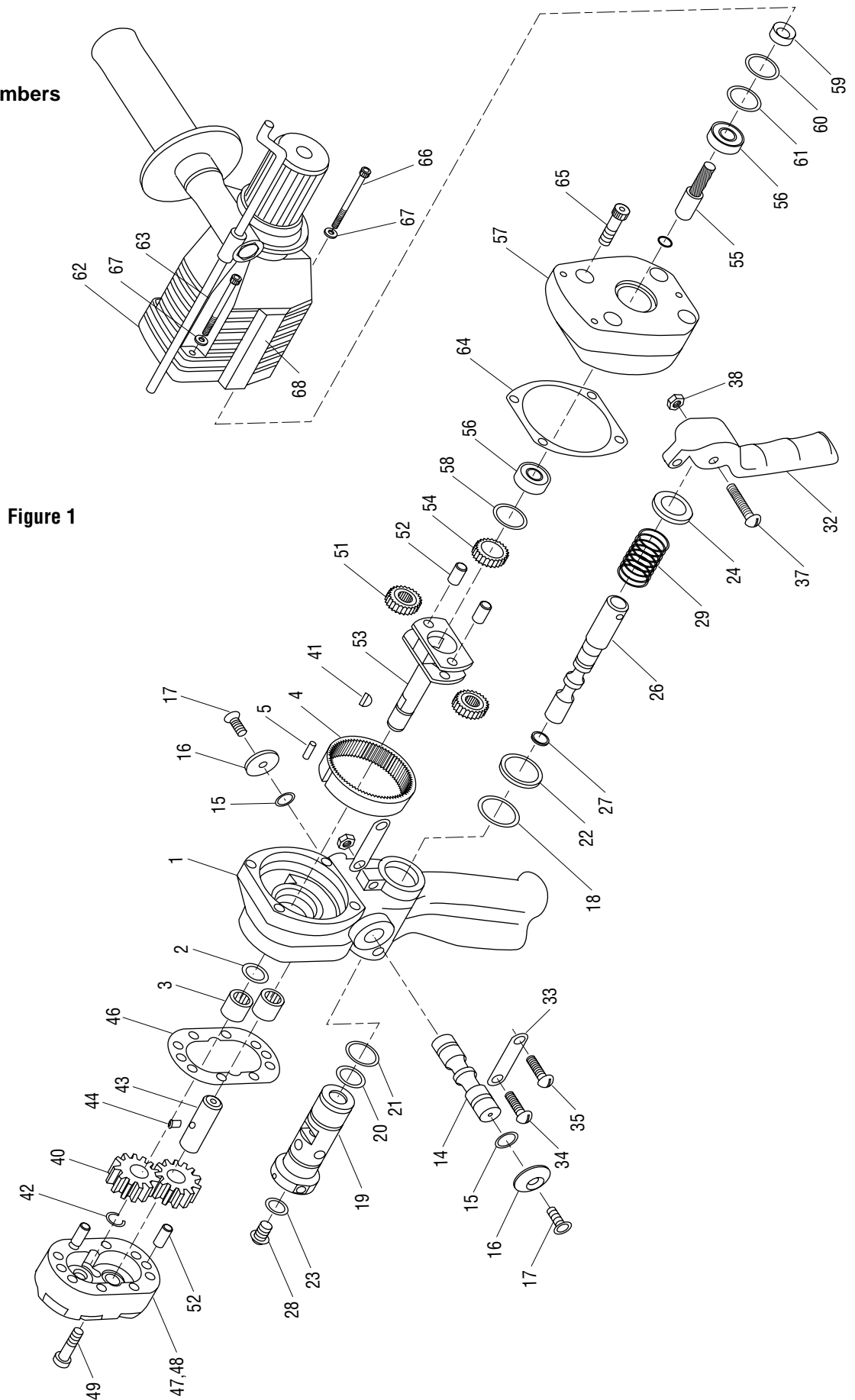


Figure 1

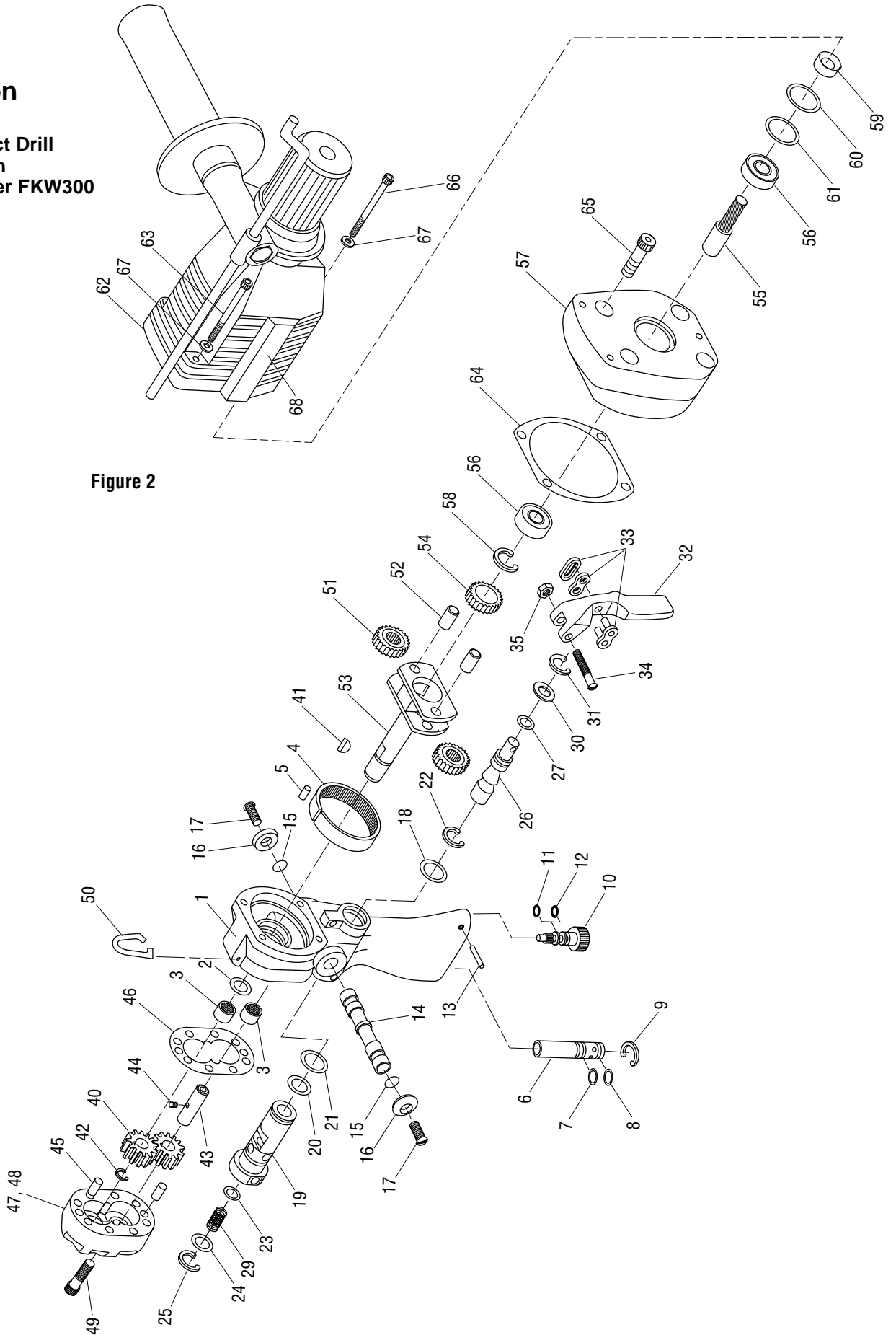
Parts List

Rotary Impact Drill—Effective for Serial Numbers through FKW299 (Figure 1)

KEY	UPC NO. 78-3310-	PART NO.	DESCRIPTION	QTY.
	43765	137950	MOTOR AND HANDLE	1
1	40584	128546	HANDLE, INSULATED	1
2*	41503	F01530	O-ring, 1/2 x 11/16 x 3/32"-90	1
3	41591	F016728	Needle Bearing, .439 I.D.	2
4	40152	103130	Internal Ring Gear (63 Teeth)	1
5	42092	F024482	Roll Pin, 1/8 x 1/2"	1
14	40215	105427	Spool, Directional	1
15*	41489	F015257	O-ring, 7/16 x 9/16 x 1/16"-68	2
16	40228	106576	Button	2
17	41715	F018627	Cap Screw, #10-24 x 1/2" Flat Socket Head	2
18*	41559	F015679	O-ring, 7/8 x 1 x 1/16"-70	1
19	40585	128547	Sleeve (Super Spool)	1
20*	42089	F024419	O-ring	1
21*	41534	F015403	O-ring, 3/4 x 7/8 x 1/16"-90	1
22	41298	F009117	Retaining Ring, 7/8" External	1
23*	41371	F011762	O-ring, 7/16 x 5/8 x 3/32"-90	1
24	40462	122755	Flat Washer, .581 I.D. x 1 O.D. x .060"	1
26	40640	130741K	Spool, Control	1
27*	41585	F016327	O-ring, 5/16 x 7/16 x 1/16"-70	1
28	41814	F020928	Cap Screw, 5/16-18 x 3/8" Button Socket Head	1
29	41760	F019817	Spring, Compression	1
32	40458	122403	Trigger	1
33	40463	122756	Link	2
34	41293	F007788	Machine Screw, #10-24 x 7/8" Slotted Round Head	1
35	41307	F009591	Machine Screw, #10-24 x 3/4" Slotted Round Head	1
37	41583	F016230	Machine Screw, #10-24 x 1-1/4" Slotted Round Head	1
38	41676	F018029K	Hex Nut, #10-24 Elastic Stop	3
40	41630	F017105	Gear, 11 Teeth	2
41	41592	F016729	Key, Woodruff #W213	1
42	41621	F017010	Retaining Clip, 25/64" External	1
43	40168	104110K	Shaft, Idler	1
44	41593	F016730	Drive Pin	1
46*	41595	F016732	Gasket	1
47	40412	118070	MOTOR CAP	1
48	41591	F016728	Needle Bearing, .439 I.D.	2
49	41606	F016807	Cap Screw, 1/4-20 x 1" Socket Head	8
51	41080	137954	Gear, Planet (21 Teeth with needle bearing)	2
52	41624	F017014	Dowel Pin, 1/4 x 5/8"	4
53	41079	137951	Shaft, Gear Carrier	1
54	41075	137857	Gear, Drive (21 Teeth)	1
55	41074	137787	Shaft, Drive	1
56	42044	F023355	Ball Bearing, 5/16 I.D.	2
57	43114	138065	Adapter	1
58	41457	F014100	Retaining Ring, Internal 7/8"	1
59	42040	F023349	Slinger	1
60*	42039	F023348	O-ring, .722 x .850 x .065"	1
61	42038	F023347	Washer, .694 x .856 x .008"	1
62	41082	138067	ROTARY IMPACT MECHANISM (see Figure 9)	1
	42041	F023350	Auxiliary Handle	1
	42042	F023351	Depth Gauge	1
63	42045	F023356	Cap Screw, #6-32 x 2" Socket Head	2
64*	40134	101524	Gasket	1
65	41616	F016807	Cap Screw, 1/4-20 x 1" Socket Head	4
66	42046	F023357	Cap Screw, #6-32 x 1-3/4" Socket Head	1
67	42056	F023485	Wrought Washer, 5/32"	3
68	41160	139675	Decal, Max. Pressure and Flow	1
	41547	F015482K1	Decal, Fairmont	1
*	41115	139000	Packing Kit (includes items marked with an asterisk)	

Illustration

Rotary Impact Drill
Effective with
Serial Number FKW300



Parts List

Rotary Impact Drill—Effective with Serial Number FKW300 (Figure 2)

KEY	UPC NO. 78-3310-	PART NO.	DESCRIPTION	QTY.
1	42482	138339	Handle Assembly (includes items 2–4)	1
2*	41503	F015305	O-ring, .500 x .687 x .093"–80	1
3	41591	F016728	Bearing, Needle, .439 x .625 x .500"	4
4	40152	103130	Gear, Internal Tooth	1
5	41809	F020886	Pin, Dowel, .125 x .500"	1
6	43302	138338	Flow Control Assembly (includes items 7 and 8)	1
7*	41491	F015261	O-ring, .500 x .625 x .062"–70	1
8*	41267	F017078	O-ring, .437 x .562 x .062"–70	1
9	41600	F016737	Retaining Ring, .687"	1
10	41094	138311	Stem	1
11*	42729	L080005	O-ring, .250 x .375 x .062"	1
12*	41843	F021471	Backup Ring, Single Turn, .265 x .371 x .048"	1
13*	42053	F023467	Pin, Roll, .078 x .875"	1
14	40215	105427	Valve Spool	1
15*	41489	F015257	O-ring, .437 x .562 x .062"–68	2
16	40228	106576	Button, Spool End	2
17	41715	F018627	Screw, Cap, #10–24 x .500", Flat Head	2
18*	41559	F015679	O-ring, .875 x 1.00 x .062"–70	1
19	41097	138315	Sleeve	1
20*	42089	F024419	O-ring, .787 x .889 x .051"–70	1
21*	41534	F015403	O-ring, .750 x .875 x .062"–90	1
22	41298	F009117	Retaining Ring, .875"	1
23*	41371	F011762	O-ring, .437 x .625 x .093"–90D	1
24	41095	138312	Cap	1
25	41712	F018511	Retaining Ring, .750"	1
26	48681	48681	Spool, Control	1
27*	41585	F016327	O-ring, .312 x .437 x .062"–70	1
29	42865	L089019	Spring, Valve Plunger	1
30	41096	138313	Washer, .355 x .615 x .030"	1
31	41297	F008797	Retaining Ring, .625"	1
32	40406	118061	Trigger	1
33	41636	F017345	Connecting Link, #41, .500" Pitch	1
34	41583	F016230	Screw, Machine, #10–24 x 1.250", Round Head	1
35	41676	F018029K	Nut, Hex, #10–24, Lock	1
40	41630	F017105	Gear, 11-Tooth	2
41	41592	F016729	Woodruff Key, #213, .125 x .375"	1
42	41621	F017010	Retaining Ring, .437"	1
43	40168	104110K	Shaft, Idler	1
44	41593	F016730	Pin, Drive, .123 x .209", Square Head	1
45	41624	F017014	Pin, Dowel, .250 x .625"	4
46*	41595	F016732	Gasket, 2.09 x 3.09 x .0015"	1
47	40412	118070	Cap (includes two of item 48)	1
48	41591	F016728	Bearing, Needle, .439 x .625 x .500"	2
49	41616	F016807	Screw, Cap, 1/4–20 x 1.00", Socket Head	8
50	43817	F023463	Lift Ring	1
51	41080	137954	Gear Assembly	2
52	41624	F017014	Pin, Dowel, .250 x .625"	4
53	41079	137951	Shaft, Drive	1
54	41075	137857	Gear	1
55	41074	137787	Shaft	1
56	42044	F023355	Bearing, Ball, .315 x .866 x .275"	2
57	43114	138065	Adapter	1
58	41457	F014100	Retaining Ring, .866"	1
59	42040	F023349	Slinger, .315 x .576 x .254"	1
60*	42039	F023348	O-ring, .722 x .850 x .065"	1
61	42038	F023347	Washer, Flat, .693 x .856 x .008"	1
62	41082	138067	Rotary Impact Assembly (see Figure 9)	1
	42041	F023350	Handle	1
	42042	F023351	Gauge, Depth	1
63	42045	F023356	Screw, Cap, #6–32 x 2.00", Socket Head	2
64*	40134	101524	Gasket, Shim	1
65	41616	F016807	Screw, Cap, 1/4–20 x 1.00", Socket Head	4
66	42046	F023357	Screw, Cap, #6–32 x 1.75, Socket Head	1
67	42056	F023485	Washer, Flat, .156 x .312 x .035"	3
68	43958	138621	Decal	1
	41547	F015482K1	Decal, Fairmont	1
*	41115	139000	Packing Kit (includes all items marked with an asterisk)	

Illustration

Rotary Impact Mechanism Serial Code FKW

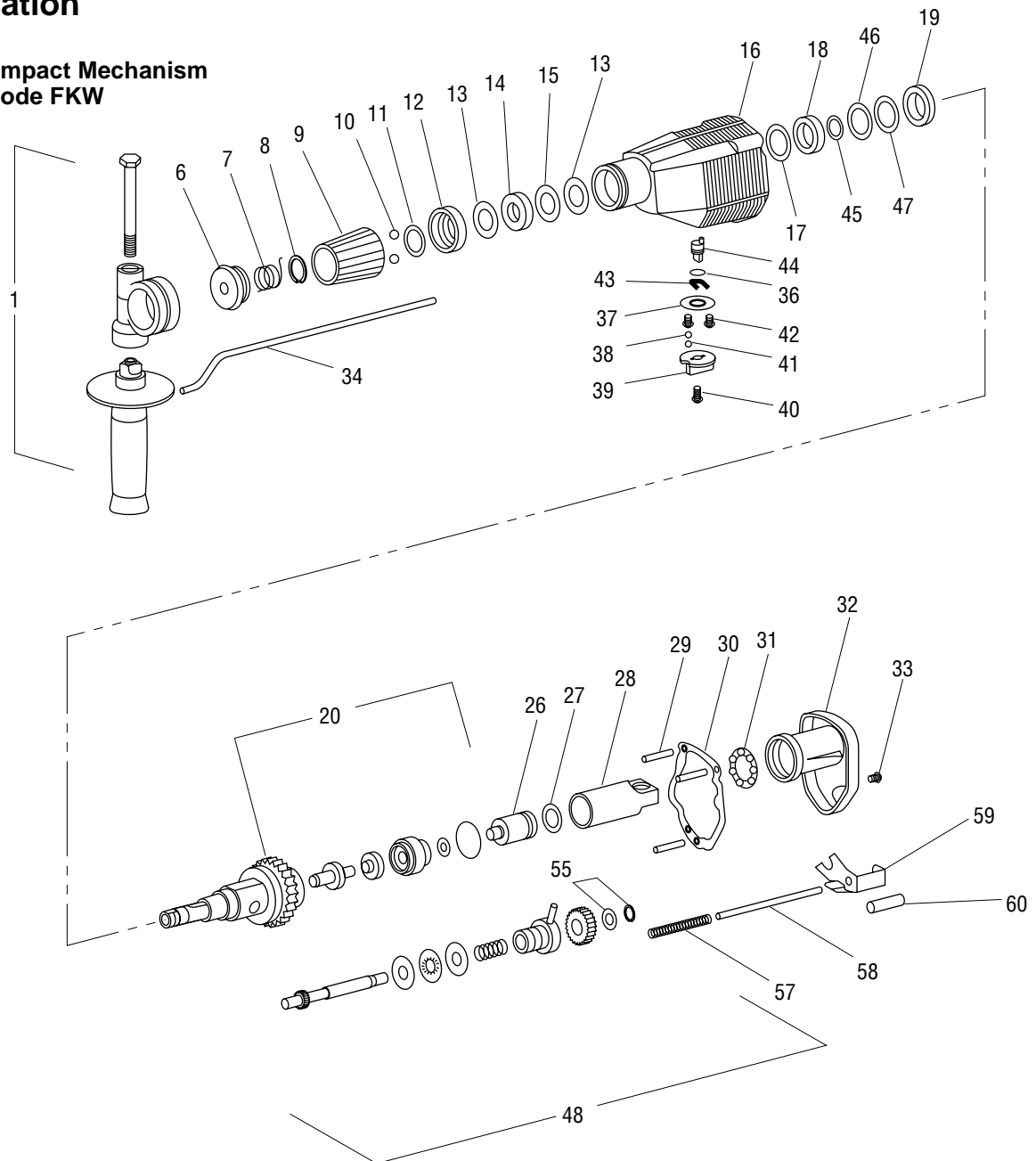


Figure 3

Parts List

Rotary Impact Mechanism—Serial Code FKW (Figure 3)

KEY	UPC NO. 78-3310-	PART NO.	DESCRIPTION	QTY.
1	41082	138067	ROTARY IMPACT MECHANISM	1
	42041	F023350	HANDLE ASSEMBLY	1
			Screw	1
			Handle Clamp	1
		Side Handle	1	
6	42142	FOR003537	Dust Cover	1
7	42164	FOR003772	Coil Spring	1
8	43715	43715	Snap Ring	1
9	42152	FOR003709	COLLAR ASSEMBLY	1
10	49075	49075	Ball	2
11	49076	49076	Spring	1
12	49077	49077	Sealing Ring	1
13	49078	49078	Washer	2
14	42139	FOR003528	Felt Seal	1
15	43716	43716	Washer	1
16	43717	43717	Gear Housing with Bushing	1
17	43718	43718	Washer	1
18	42143	FOR003538	Ball Bearing	1
19	42144	FOR003539	Bushing	1
20	42145	FOR003540	HAMMER WITH CLUTCH	1
			Anvil	1
			Retainer	1
			Striker Bushing	1
			Damper	1
			O-ring	1
26	42146	FOR003541	Striker with O-ring	1
28	42165	FOR003773	Striker Sleeve	1
29	42153	FOR003710	Sleeve	3
30	42138	FOR003527	Gasket	1
31	42166	FOR003774	Thrust Bearing	1
32	48532	48532	Intermediate Plate	1
33	43719	43719	Phillips Screw	1
34	42042	F023351	Depth Gauge	1
36	42147	FOR003543	O-ring	1
37	42156	FOR003713	Plate	1
38	42157	FOR003714	Ball	1
39	42158	FOR003715	Shift Knob	1
40	42159	FOR003716	Cylinder Head Screw	1
41	42160	FOR003717	Pressure Spring	1
42	42161	FOR003718	Countersink Screw	2
43	42162	FOR003719	Retainer	1
44	42163	FOR003720	Shift Pin	1
45	43720	43720	Cam Segment	1
46	43721	43721	Washer	1
47	43722	43722	Washer	1
48	42148	FOR003547	ECCENTRIC ASSEMBLY	1
		FOR003544	Thrust Bearing	1
		FOR003545	Washer	2
			Spring	1
		FOR003546	Eccenter Drive	1
			Spur Gear	1
			Gear Shaft	1
55	42149	FOR003548	THRUST BEARING AND SPACER	1
			Thrust Bearing	1
			Spacer	1
57	43723	43723	Spring	1
58	42155	FOR003712	Shift Rod	1
59	42154	FOR003711	Shift Dog	1

Illustration

Rotary Impact Drill
Effective with
Serial Code GAT

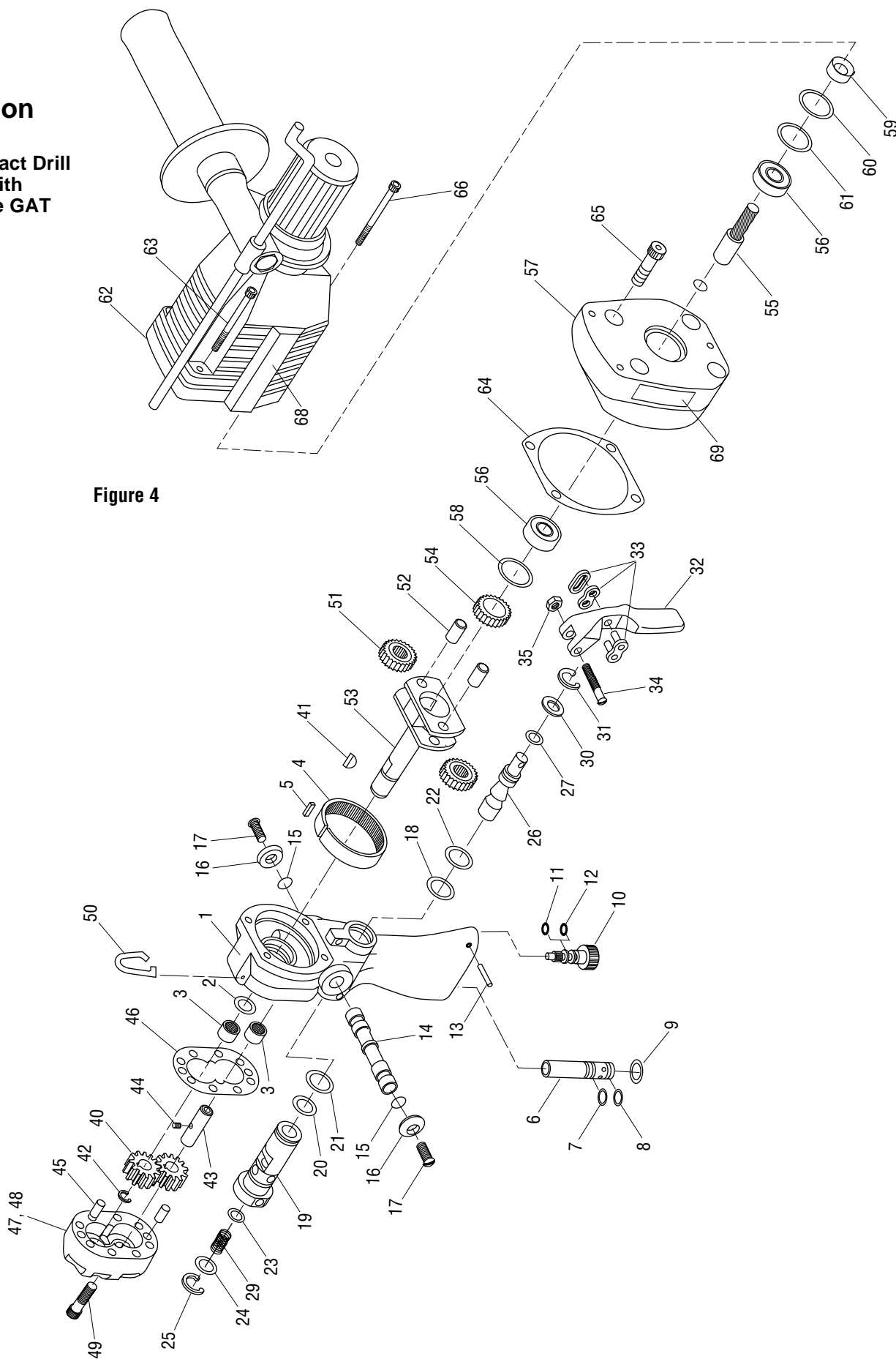


Figure 4

Parts List

Rotary Impact Drill—Effective with Serial Code GAT (Figure 4)

KEY	UPC NO. 78-3310-	PART NO.	DESCRIPTION	QTY.
	48759		HANDLE AND MOTOR ASSEMBLY	1
1	43482	138339	HANDLE ASSEMBLY WITH ORIFICE, BEARINGS and GEAR	1
2*	41503	F015305	O-ring, 1/2 x 3/32-90	1
3	41591	F016728	Needle Bearing	2
4	40152	103130	Internal Gear	1
5	42092	F024482	Spiral Pin, 1/8 x 1/2	1
6	43302	138338	FLOW CONTROL CARTRIDGE	1
7*	41491	F015261	O-ring, 1/2 x 1/16-70	1
8*	41627	F017078	O-ring, 7/16 x 1/16-70	1
9	41600	F016737	Retaining Ring, 11/16 Internal	1
10	41094	138311	Screw, Adjustable Torque Output	1
11*	42729	L080005	O-ring, 1/4 x 1/16-70	1
12*	41843	F021471	Back-Up Ring	1
13*	42053	F023467	Spring Pin, 5/64 x 7/8	1
14	40215	105427	Spool, Directional	1
15*	41489	F015257	O-ring, 7/16 x 1/16-68	2
16	40228	106576	Button	2
17	41715	F018627	Flat Socket Head Cap Screw, #10 x 1/2	2
18*	41559	F015679	O-ring, 7/8 x 1/16-70	1
19	41097	138315	Sleeve, Super Spool	1
20*	42089	F024419	O-ring, .787 x .051-70	1
21*	41534	F015403	O-ring, 3/4 x 1/16-90	1
22	41298	F009117	Retaining Ring, 7/8 External	1
23*	41371	F011762	O-ring, 7/16 x 3/32-90	1
24	41095	138312	Cap	1
25	41712	F018511	Retaining Ring, 3/4 Internal	1
26	48681	48681	Spool, Control	1
27*	41585	F016327	O-ring, 5/16 x 1/16-70	1
29	42865	L089019	Spring, Compression	1
30	41096	138313	Washer	1
31	41297	F008797	Retaining Ring, 5/8 Internal	1
32	40406	118061	Trigger	1
33	41636	F017345	Connecting Link	1
34	41583	F016230	Slotted Round Head Machine Screw, #10 x 1-1/4	1
35	41676	F018029K	Hex Elastic Stop Nut, #10	1
40	41594	F016731	Gear, 11 Tooth	2
41	40115	101382	Key, 1/8 x 3/8	1
42	41621	F017010	Retaining Ring, 25/64 External	1
43	40114	101381K	Shaft Idler	1
44	41593	F016730	Drive Pin	1
45	41624	F017014	Dowel Pin, 1/4 x 5/8	2
46*	41595	F016732	Gasket	1
47	40405	118059	MOTOR CAP	1
48	41591	F016728	Needle Bearing	2
49	41616	F016807	Socket Head Cap Screw, 1/4 x 1	8
50	43817	F023463	Hook, Lift	1
51	41080	137954	Gear, Planet (21 teeth with needle bearing)	2
52	41624	F017014	Dowel Pin, 1/4 x 5/8"	2
53	49590	49590	Shaft, Gear Carrier	1
54	41075	137857	Gear, Drive (21 Teeth)	1
55	49329	49329	Shaft, Drive	1
56	42044	F023355	Ball Bearing, 5/16 I.D.	2
57	49328	49328	Adapter	1
58	41457	F014100	Retaining Ring, Internal 7/8"	1
59	55068	905 5068.4	Slinger	1
60*	42039	F023348	O-ring, .722 x .850 x .065"	1
61	42038	F023347	Washer, .694 x .856 x .008"	1
62	49330	49330	ROTARY IMPACT MECHANISM (see Figure 5)	
	42041	F023350	Auxiliary Handle	1
	42042	F023351	Depth Gauge	1
63	55200	905 5200.8	Cap Screw, #10-24 x 1.50" Socket Head	2
64*	40134	101524	Gasket	1
65	41616	F016807	Cap Screw, 1/4-20 x 1" Socket Head	4
66	41597	F016734	Cap Screw, #10-24 x 1" Socket Head	1
68	43958	138621	Decal, Max. Pressure and Flow	1
69	48513	48513	Decal, Fairmont	1
*	41115	139000	Packing Kit (includes all items marked with an asterisk)	

Illustration

Rotary Impact Mechanism
Serial Code GAT

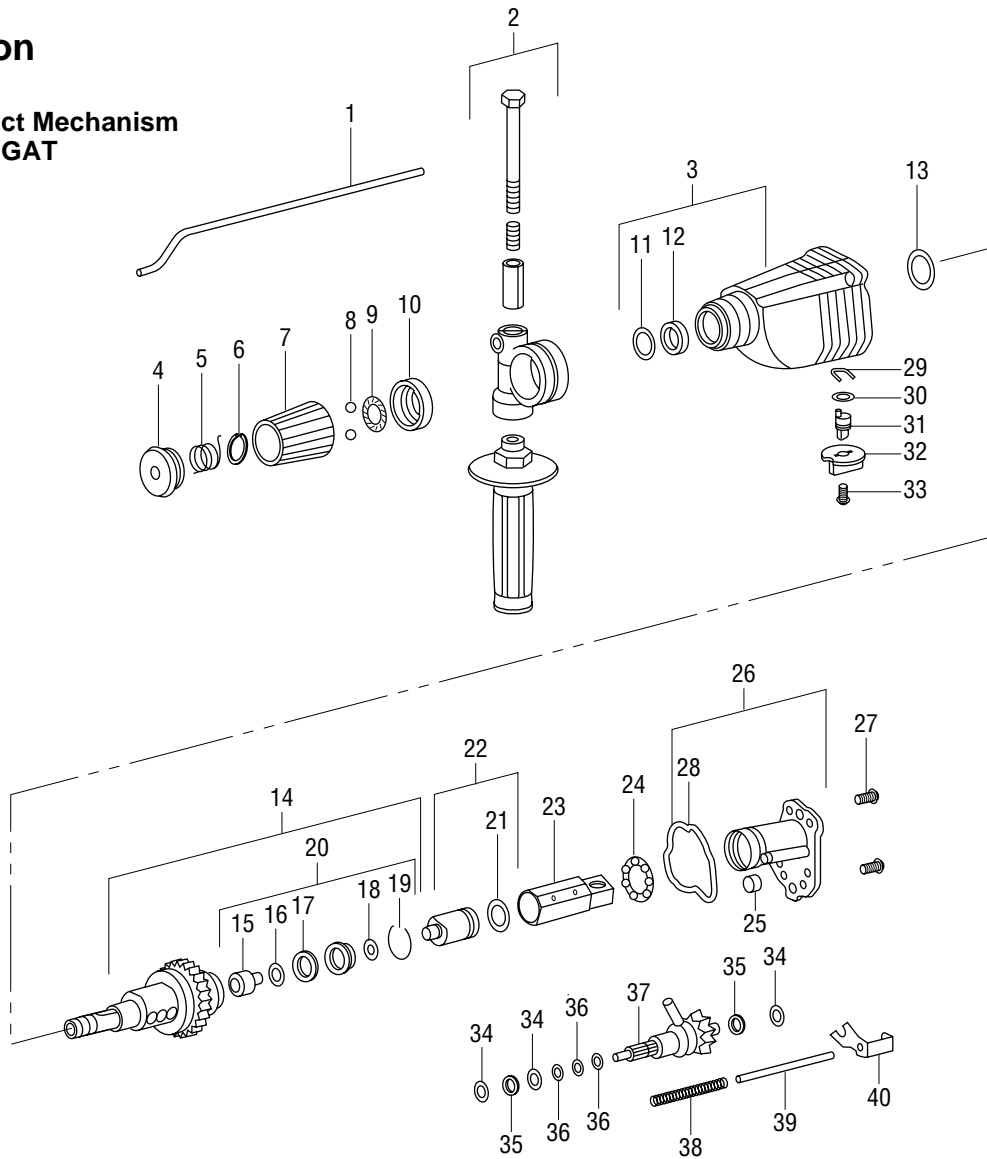


Figure 5

Parts List

Rotary Impact Mechanism—Serial Code GAT (Figure 5)

KEY	UPC NO. 78-3310-	PART NO.	DESCRIPTION	QTY.
1	42042	F023351	Depth Gauge	1
2	49916	49916	HANDLE ASSEMBLY	1
3	49920	49920	GEAR HOUSING WITH BUSHING	1
			Seal	1
			Needle Sleeve	1
4	42142	FOR003537	Rubber Cap	1
5	42164	FOR003772	Torsion Spring	1
6	43715	43715	Retaining Ring	1
7	49927	49927	Adjusting Ring	1
8	49075	49075	Ball	2
9	49076	49076	Tension-spring Ring	1
10	49077	49077	Spacer Ring	1
11	49928	49928	Seal	1
12	49929	49929	Needle Sleeve	1
13	49930	49930	Supporting Disc	1
14	49922	49922	INTERMEDIATE GEAR ASSEMBLY	1
			Intermediate Gear	1
			Catching Sleeve Assembly	1
15	49931	49931	Intermediate Striker	1
16	49932	49932	O-ring	1
17	49933	49933	Damping Ring	1
18	49934	49934	O-ring	1
19	49935	49935	Cir-clip	1
20	49936	49936	CATCHING SLEEVE ASSEMBLY	1
			Intermediate Striker	1
			O-ring	1
			Damping Ring	1
			O-ring	1
			Cir-clip	1
21	49937	49937	Sealing Ring	1
22	42146	FOR003541	STRIKER	1
			Sealing Ring	1
23	49923	49923	Exciter Sleeve	1
24	42166	FOR003774	Ball Holder	1
25	49921	49921	Needle Sleeve	1
26	49938	49938	GEAR FLANGE ASSEMBLY	1
			Gear Flange	1
			Needle Sleeve	1
			Gasket	1
27	43719	43719	Fillister Head Screw	2
28	49924	49924	Gasket	1
29	42162	FOR003719	Locking Plate	1
30	42147	FOR003543	O-ring	1
31	49919	49919	Shift Bolt	1
32	49918	49918	Control Knob	1
33	49917	49917	Cap Screw	1
34	49939	49939	Washer	3
35	49940	49940	Axial Needle Bearing	2
36	49941	49941	Cup Spring	3
37	49942	49942	Intermediate Gear Assembly	1
38	49943	49943	Pressure Spring	1
39	49944	49944	Guide Bolt	1
40	49945	49945	Shift Fork	1

Accessories

Geared Chuck Sales Group

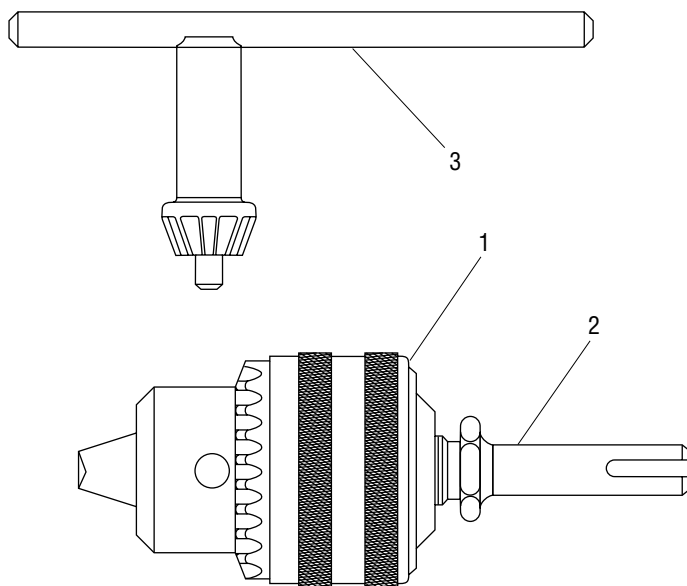


Figure 6

KEY	UPC NO. 78-3310-	PART NO.	DESCRIPTION	QTY.
	43040	139287	GEARED CHUCK SALES GROUP	1
1	41134	139286	Geared Chuck, 1/2-20 Female Thread	1
2	42071	F023643	Adapter, 1/2-20 Male Thread to SDS Plus Shank	1
3	42070	F023642	Chuck Key (fits 139286 geared chuck)	1