

Figure 16 Rim Sprocket and Sprocket Adapter

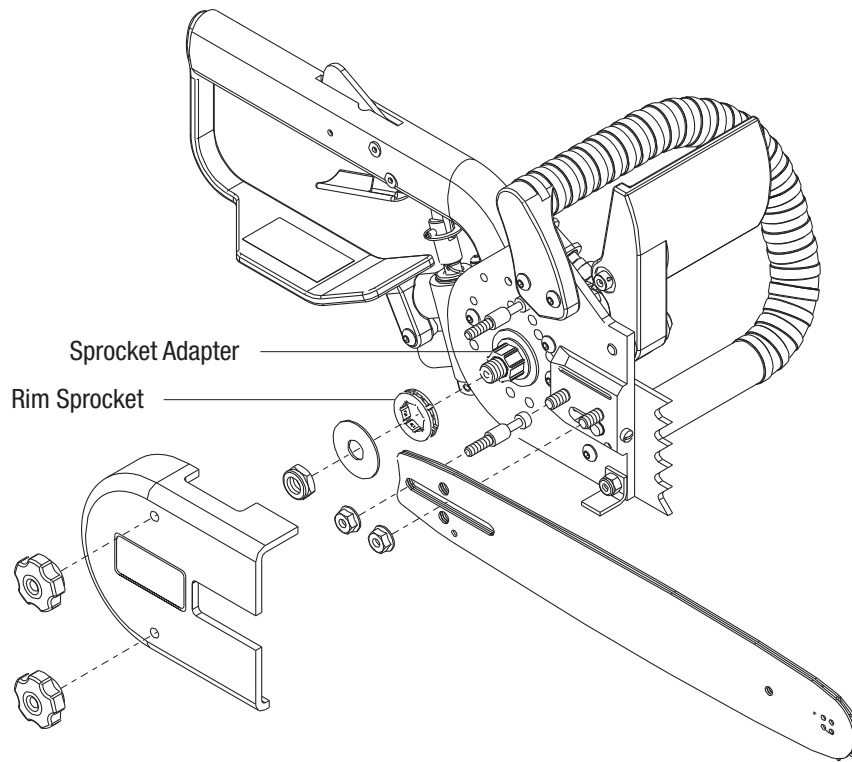


Figure 17 Direction of Chain Travel

