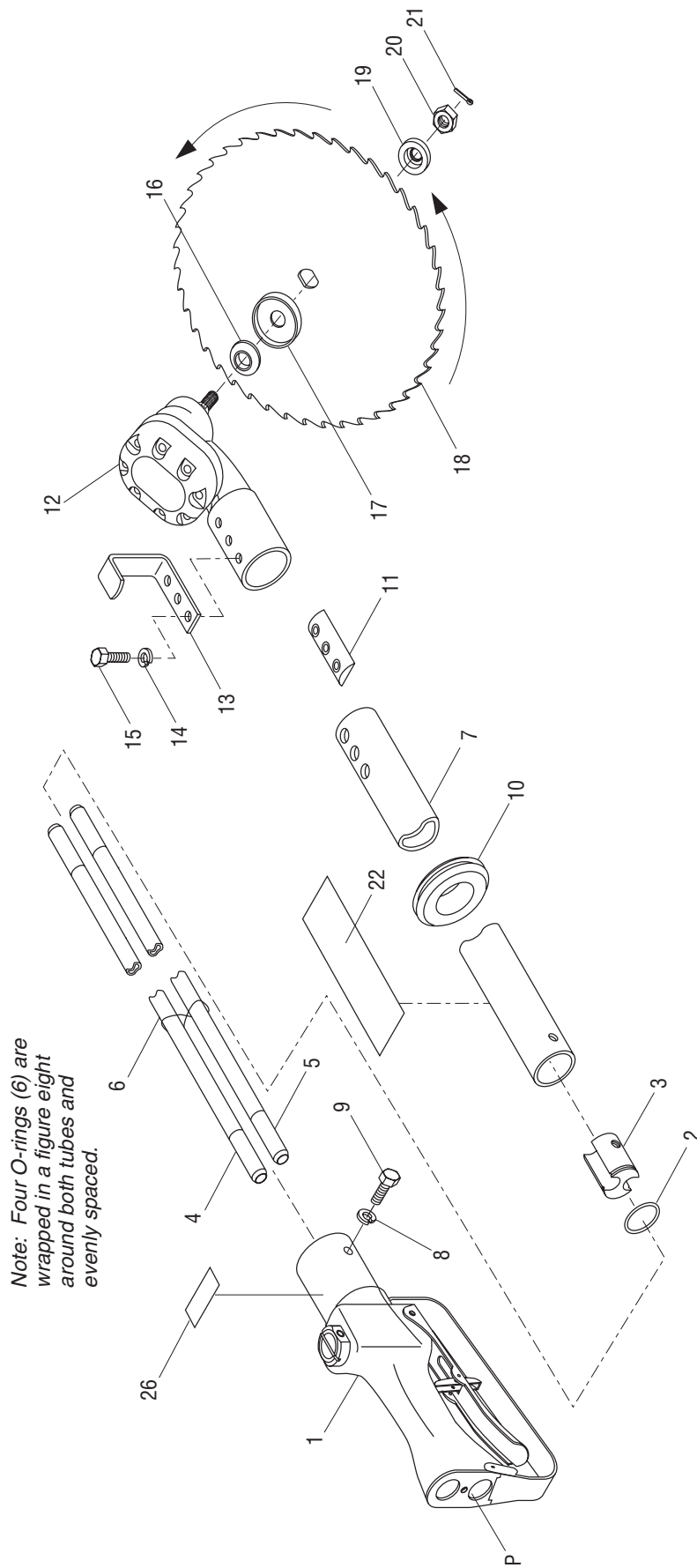


### Overhead Circular Saw

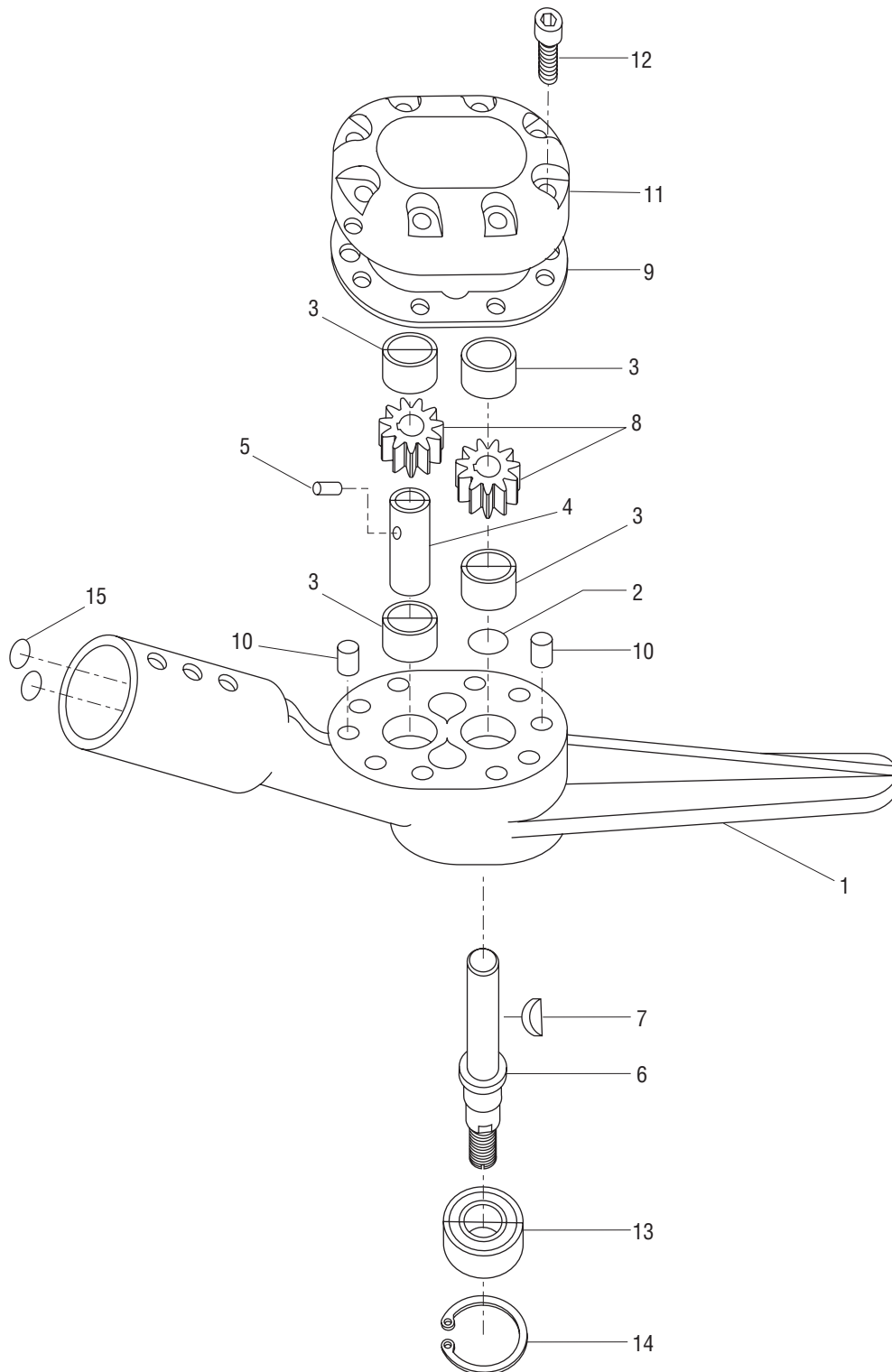
- |                            |                              |
|----------------------------|------------------------------|
| 1. Serial Number           | 7. Hook                      |
| 2. Trigger Handle          | 8. Saw Head                  |
| 3. Trigger Interlock Latch | 9. Hydraulic Gear Motor      |
| 4. Trigger                 | 10. Saw Blade                |
| 5. Fiberglass Extension    | 11. Pressure Port P (Supply) |
| 6. Rubber Hand Stop        | 12. Tank Port T (Return)     |



*Note: Four O-rings (6) are wrapped in a figure eight around both tubes and evenly spaced.*

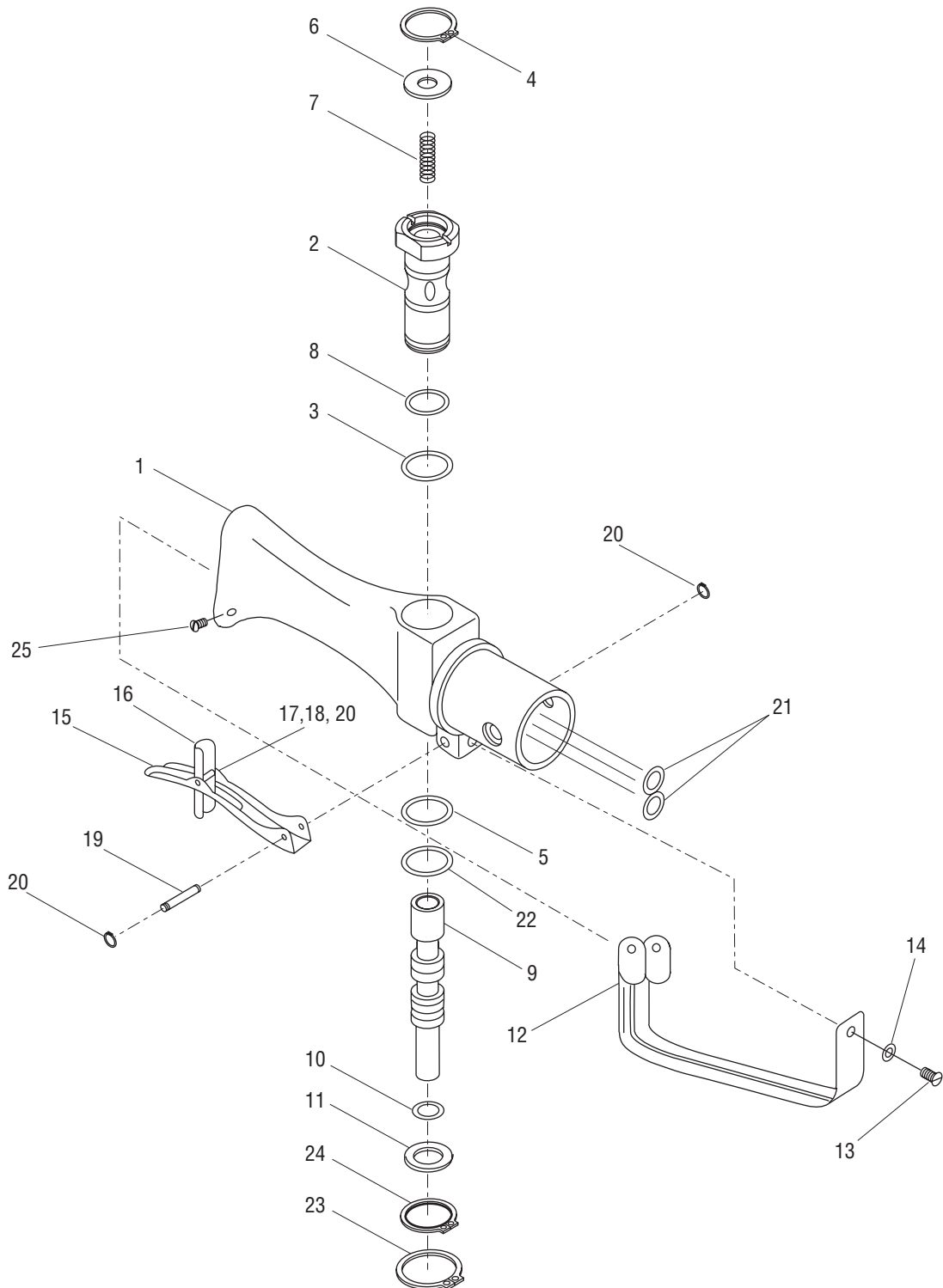
Key	UPC No. 78-3310-	Part No.	Description	Qty
1	48818	48818	Handle assembly—Model Code FRN (refer to separate breakdown) .....	1
	43404	170076	Handle assembly—Model Code FMZ (refer to separate breakdown) .....	1
2*	41557	F015676	O-ring, 15/16" x 1-1/16" x 1/16" .....	1
3	41121	139021	Tube plug .....	1
4	43394	170130	Inner tube .....	1
5	43395	170136	Pressure tube .....	1
6	41559	F015679	O-ring, 7/8" x 1" x 1/16" .....	4
7	48264	48264	Outer tube assembly (includes item 22) .....	1
8	42808	L084005	Lock washer, 1/4" .....	2
9	42790	L083038	Hex head cap screw, 1/4–20 x 3/4" .....	2
10	42015	F022910	Grommet .....	1
11	40118	101390K	Nut carrier .....	1
12	41076	137860	Motor assembly (refer to separate breakdown) .....	1
13	40120	101394	Hook .....	1
14	41302	F009535	Lock washer, 1/4" .....	3
15	41267	F002355	Hex head cap screw, 1/4–20 x 3/4" .....	3
16	41192	155216	Hub washer .....	1
17	40127	101404	Guard .....	1
18	42853	L88009	Saw blade—5/8" arbor .....	1
†18A	48511	48511	Saw blade—5/8" arbor and adapter (includes items 18 and 19) .....	1
19	41164	139706	Adapter .....	1
20	43396	F025019	Hex nut, M10 x 1.5" LH .....	1
21	41247	F001066	Cotter pin, 1/16" x 1/2" .....	1
22	46294	50462946	Decal .....	1
*	40788	132541	Packing kit (includes items marked with an asterisk)	
	41077	137862	Spacer washer (used with old blade UPC # 40129)	
		156586	Chain blade	
		90548787	Replacement chain for chain blade	

†Order saw blade (18) if you now have adapter (19).



## Parts List—Motor Assembly

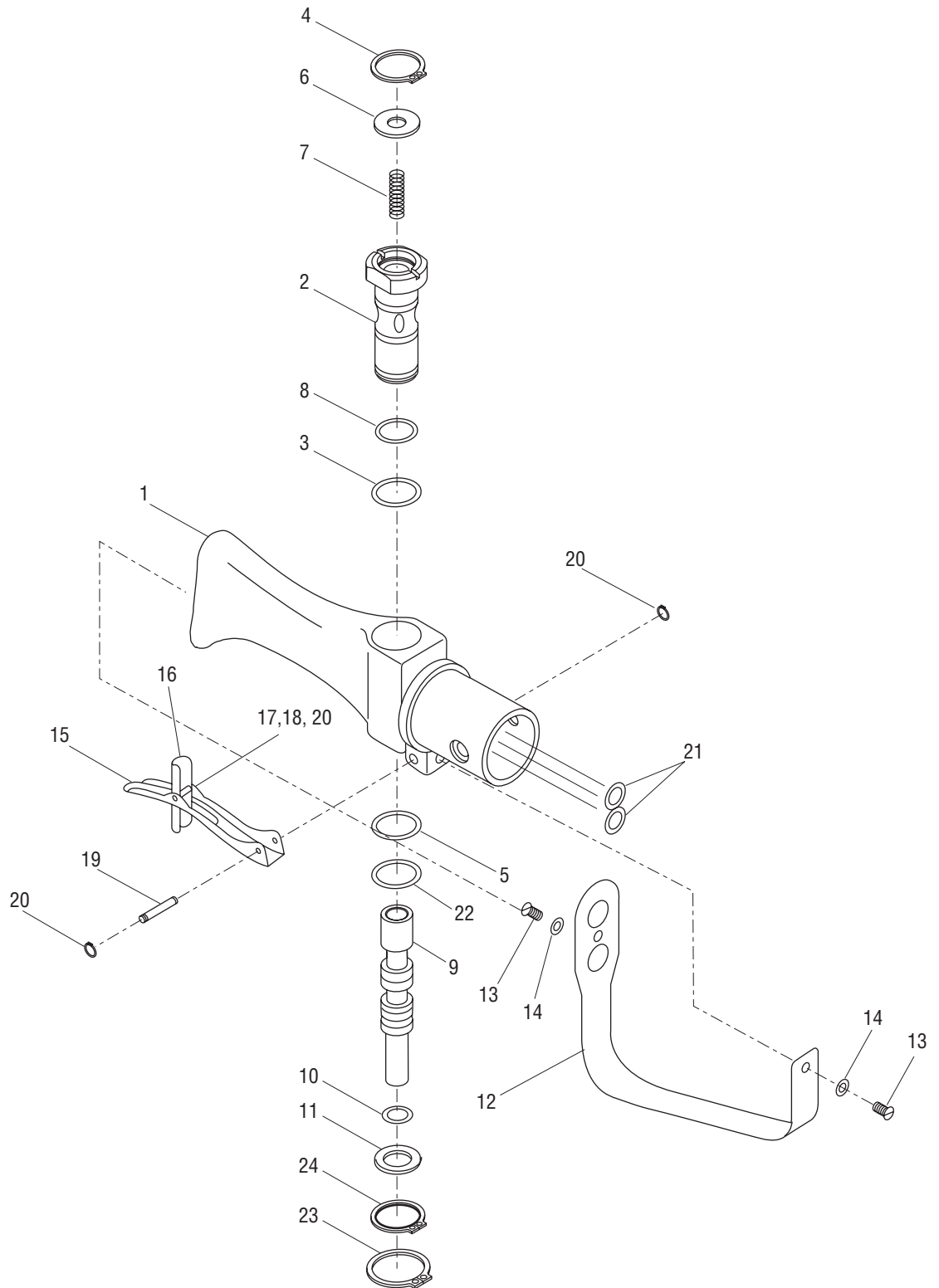
Key	UPC No. 78-3310-	Part No.	Description	Qty
	41076	137860	Motor assembly (includes items 1–15) .....	1
1	43403	137861	Body assembly (includes items 2 and 3) .....	1
2*	41503	F015305	O-ring .....	1
3	41591	F016728	Bearing .....	4
4	40168	104110K	Idler shaft .....	1
5	41593	F016730	Drive pin .....	1
6	41078	137865	Shaft .....	1
7	41592	F016729	Key .....	1
8	41630	F017105	11-tooth gear .....	2
9*	41595	F016732	Gasket .....	1
10	41596	F016733	Dowel pin .....	2
11	40412	118070	Motor cap (includes item 3) .....	1
12	41616	F016807	Socket head cap screw, #10–32 x 3/8" .....	8
13	41598	F016735	Ball bearing .....	1
14	41482	F014990	Retaining ring .....	1
15*	41998	F022714	O-ring .....	2
*	40788	132541	Packing kit (includes items marked with an asterisk)	



## Parts List—Handle Assembly, Model Code FRN

Key	UPC No. 78-3310-	Part No.	Description	Qty
	48818	48818	Handle assembly (includes items 1–25)	
1	48815	48815	Handle .....	1
2	43420	170251	Sleeve .....	1
3*	41534	F015403	O-ring .....	1
4	41712	F018511	Retaining ring .....	1
5*	42089	F024419	O-ring .....	1
6	41095	138312	Cap .....	1
7	42865	L089019	Spring .....	1
8*	41371	F011762	O-ring .....	1
9	43421	170088	Spool .....	1
10*	41585	F016327	O-ring .....	1
11	41096	138313	Washer .....	1
12	48817	48817	Trigger guard .....	1
13	41677	F018077	Machine screw, round head .....	2
14	42812	L084015	Lock washer .....	2
	04796	50047965	Safety trigger assembly (includes items 15–20)	
15	04797	50047973	Trigger .....	1
16	04798	50047981	Latch, trigger interlock .....	1
17	04799	50047990	Spring, torsion .....	1
18	04800	50048007	Pin .....	1
19	42547	L060058	Trigger pivot .....	1
20	42827	L085019	Retaining ring .....	4
21*	41998	F022714	O-ring .....	2
22*	41559	F015679	O-ring .....	1
23	54819	90548191	Retaining ring .....	1
24	41297	F008797	Retaining ring .....	1
25	43701	F021676	Button socket screw .....	2
*	40788	132541	Packing kit (includes items marked with an asterisk)	

### Illustration—Handle Assembly, Model Code FMZ





## Parts List—Handle Assembly, Model Code FMZ

Key	UPC No. 78-3310-	Part No.	Description	Qty
	43404	170076	Handle assembly (includes items 1–24)	
1	43419	170072	Handle .....	1
2	43420	170251	Sleeve .....	1
3*	41534	F015403	O-ring .....	1
4	41712	F018511	Retaining ring .....	1
5*	42089	F024419	O-ring .....	1
6	41095	138312	Cap .....	1
7	42865	L089019	Spring .....	1
8*	41371	F011762	O-ring .....	1
9	43421	170088	Spool .....	1
10*	41585	F016327	O-ring .....	1
11	41096	138313	Washer .....	1
12	42577	L060107	Trigger guard .....	1
13	41677	F018077	Machine screw, round head .....	2
14	42812	L084015	Lock washer .....	2
	047965	50047965	Safety trigger assembly (includes items 15–20)	
15	047973	50047973	Trigger .....	1
16	047981	50047981	Latch, trigger interlock .....	1
17	047990	50047990	Spring, torsion .....	1
18	048007	50048007	Pin .....	1
19	42547	L060058	Trigger pivot .....	1
20	42827	L085019	Retaining ring .....	4
21*	41998	F022714	O-ring .....	2
22*	41559	F015679	O-ring .....	1
23	54819	90548191	Retaining ring .....	1
24	41297	F008797	Retaining ring .....	1
*	40788	132541	Packing kit (includes items marked with an asterisk)	