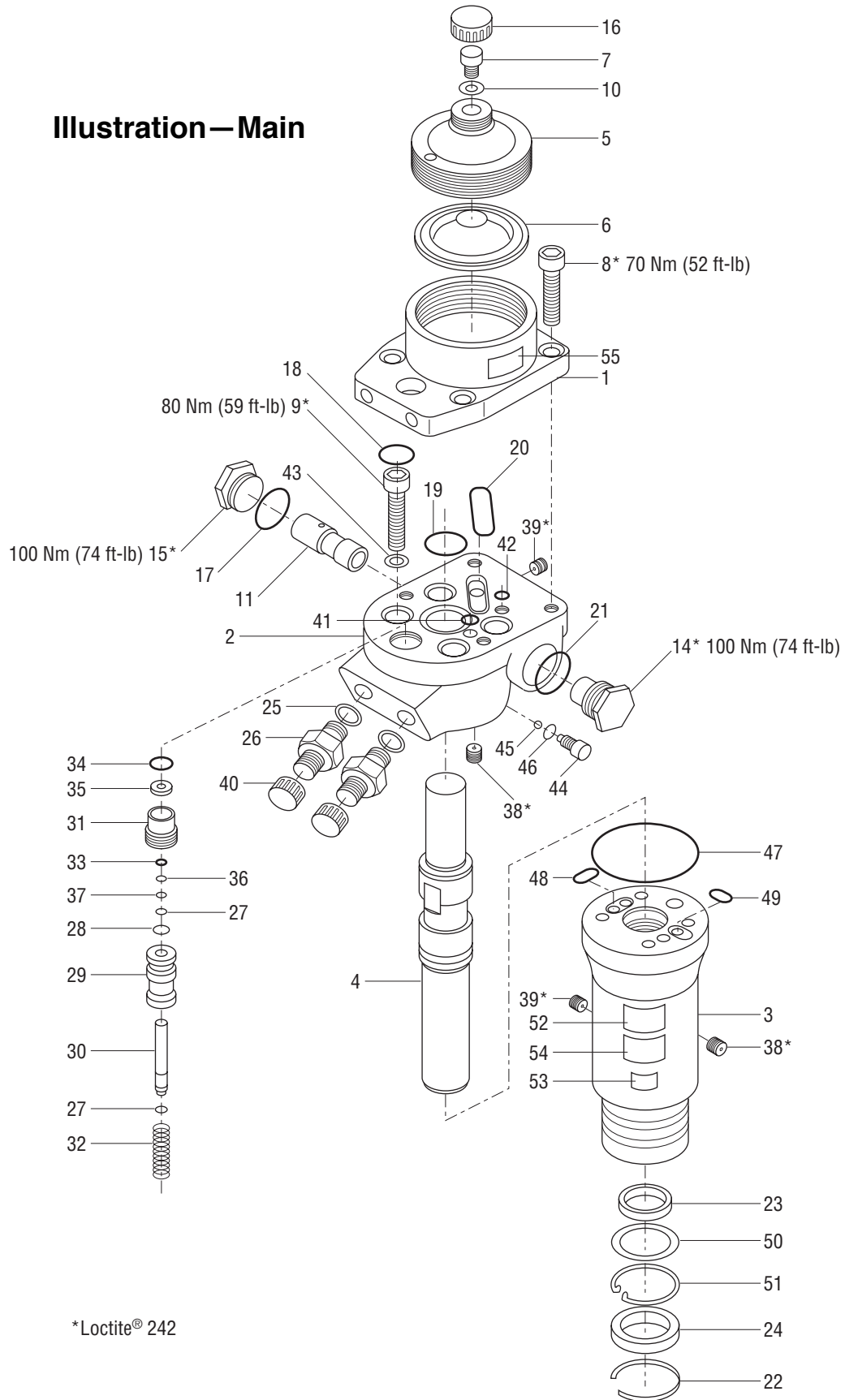


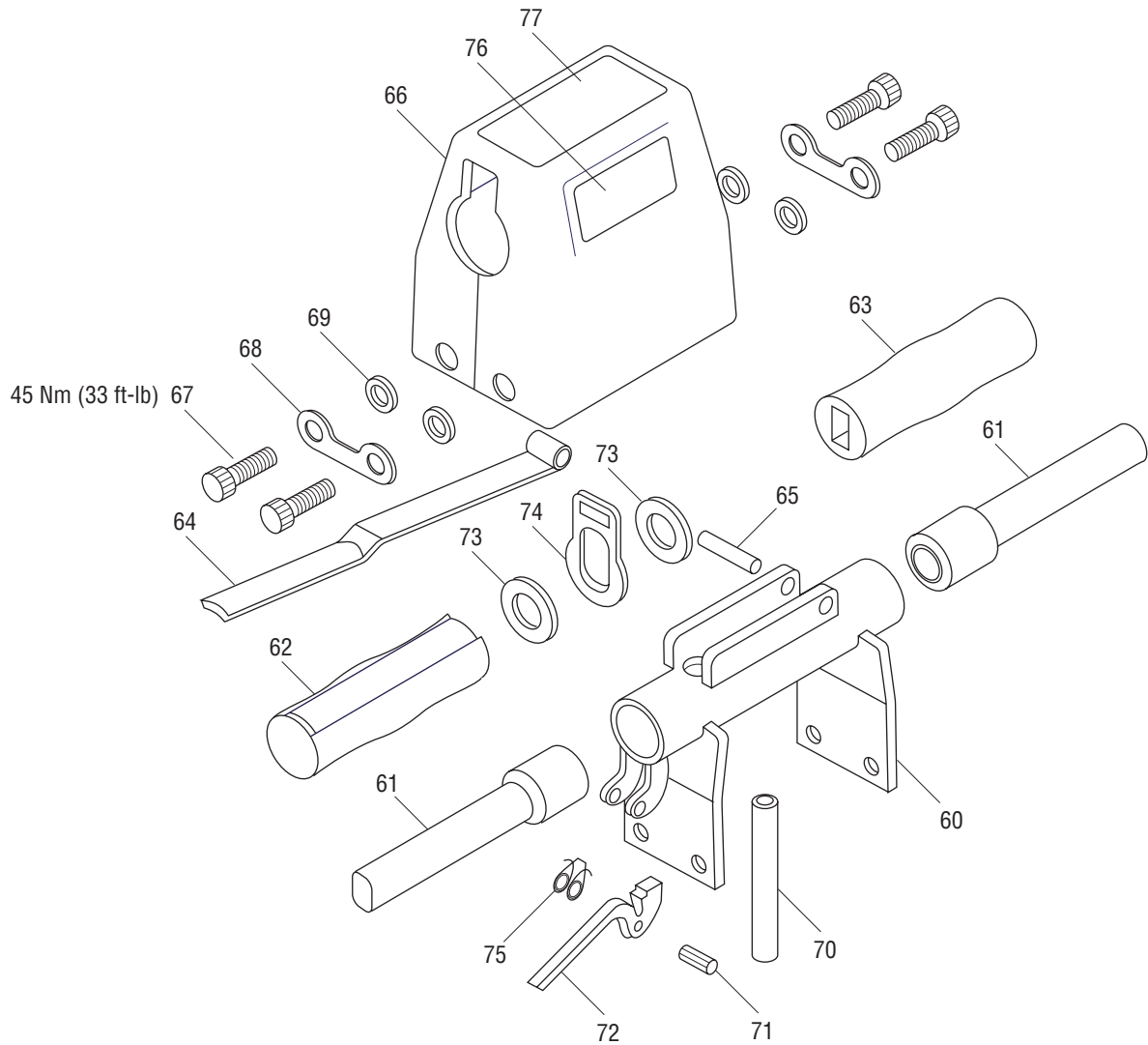
Illustration—Main



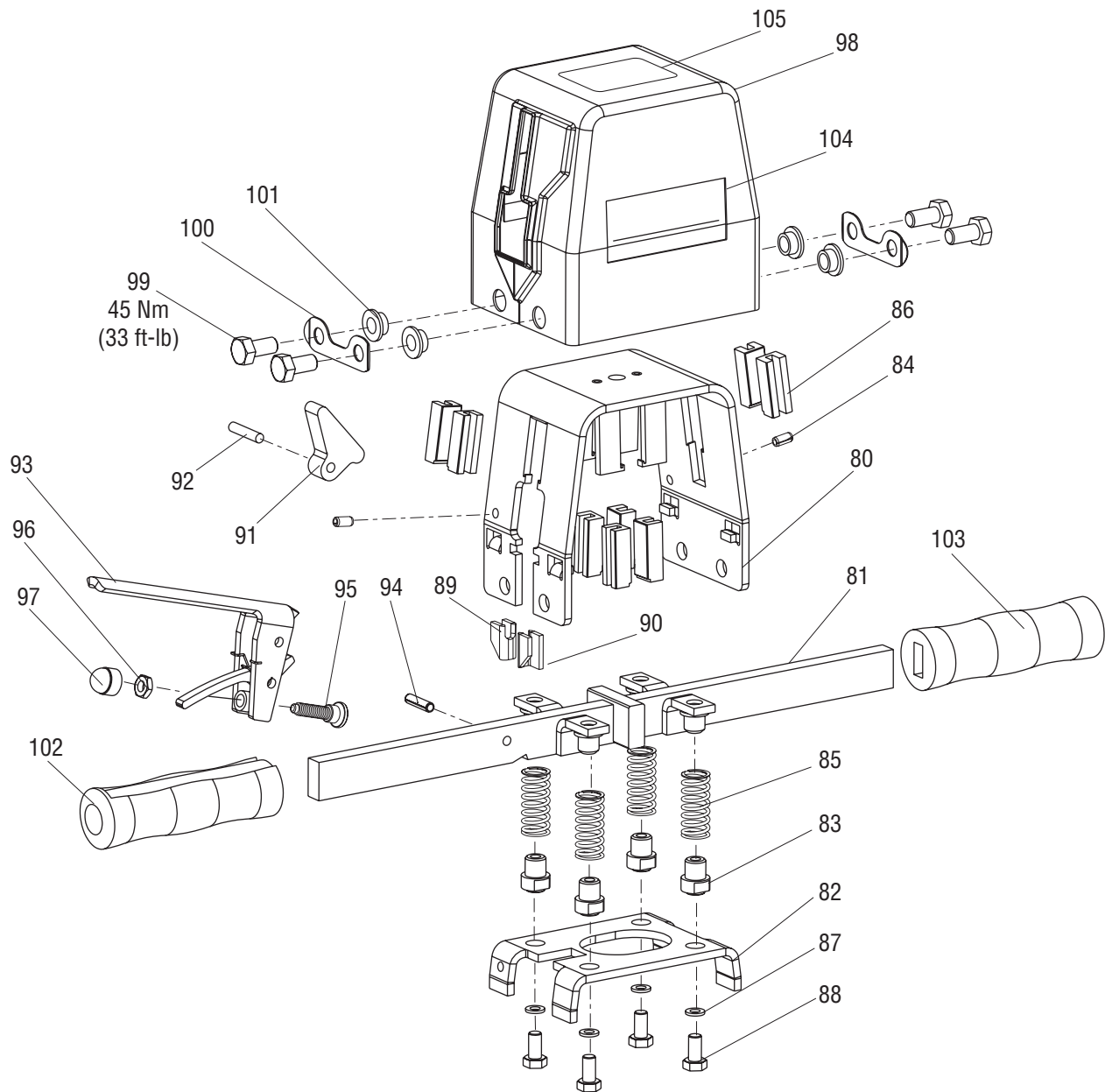
*Loctite® 242

Parts List—Main

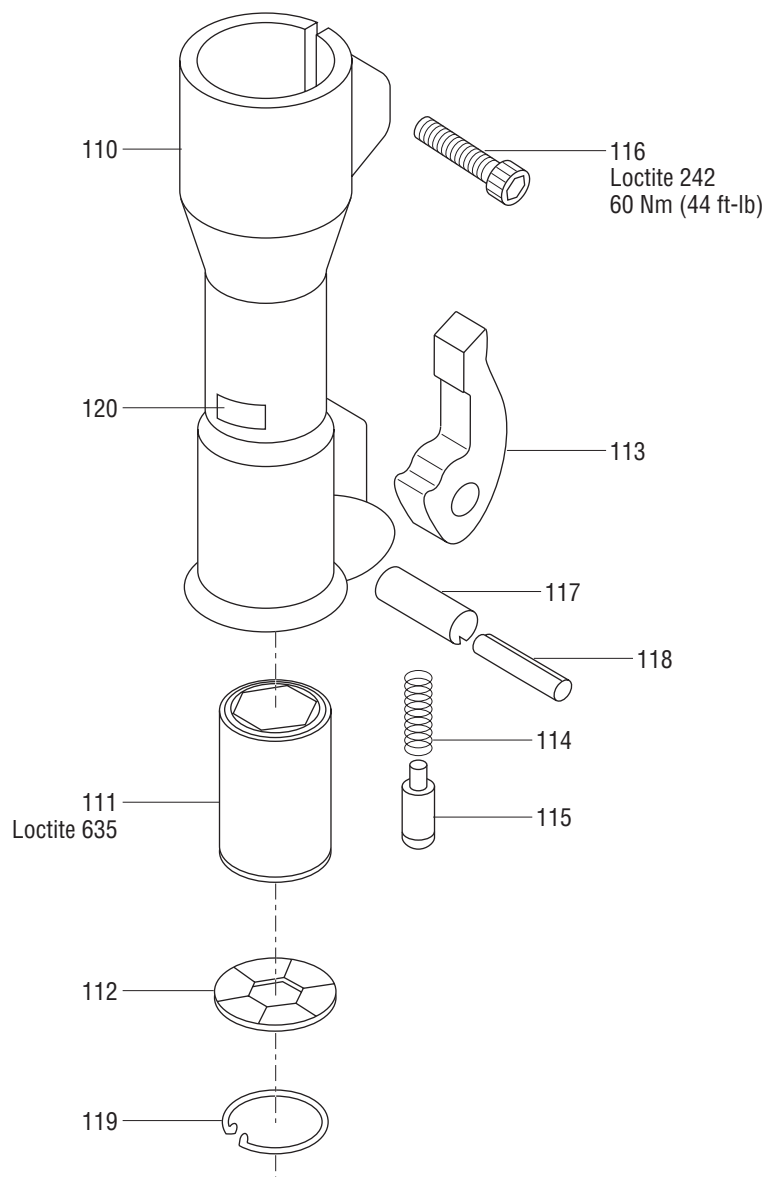
Key	Part No.	Description	Qty	Key	Part No.	Description	Qty
1	50022083	Accumulator body	1	32	50022474	Spring	1
2	50022130	Valve housing	1	33	50022490	O-ring, Ø8.3x2.4	1
3	50024027	Cylinder	1	34	50022512	O-ring, Ø16.3x2.4	1
4	50024035	Striking piston	1	35	50022520	Seal, Ø8/Ø14x3.5/5	1
5	50022164	Accumulator cover	1	36	50022539	Backup ring	1
6	50022172	Diaphragm	1	37	50022547	Seeger spring ring	1
7	50022180	Charging screw	1	38	50022555	Fitting, 02 KRG	6
8	50022199	Screw, M10x30	4	39	50022563	Fitting, 04 KRG	3
9	50022202	Screw, M10x35	4	40	50022741	Protective cap, 1/2" BSP	2
10	50022210	Seal ring, Ø8.7/Ø13x1	1	41	50022768	O-ring, Ø6x2	1
11	50022229	Spool	1	42	50022784	O-ring, Ø8x2	1
14	50022253	Guide socket	1	43	50022814	Backup washer	4
15	50022261	Spool socket	1	44	50022822	Screw	1
16	50022270	Protective cap, M24x1.5	1	45	50022830	Check valve ball	1
17	50022288	O-ring, Ø24x1.5	1	46	50022849	Seal ring, Ø9/Ø14x1	1
18	50022296	O-ring, Ø18x2	4	47	50022857	O-ring, Ø82x1.5	1
19	50022300	O-ring, Ø30x2	1	48	50022881	O-ring, Ø16x1.5	1
20	50022318	O-ring, Ø32x2	1	49	50022890	O-ring, Ø13x1.5	1
21	50022326	O-ring, Ø25x1.5	1	50	50022962	Backup washer, Ø32.7/45x2.5	1
22	50022334	Locking ring	1	51	50023063	Locking ring	1
23	50022342	Seal, Ø32/Ø40x6	1	52	50109499	Plate, identification	1
24	50022350	Seal, Ø32/Ø45x7/10	1	53	50109537	Decal, sound level 112 dB	1
25	50022369	Seal ring, 1/2"	2	54	50110306	Decal, weight	1
26	50022377	Connector, 1/2" BSP	2	55	50110764	Decal, accumulator	1
27	50022385	Seeger spring ring	2				
28	50022407	Shim PS, 8x14x0.5	1	50023101	Seal kit (includes items 10, 16–25, 27, 28, 33–37, 41, 42, 46–51, and 68/91)		
29	50022415	Trigger spool	1	50023152	Trigger valve kit (includes items 27–37)		
30	50022431	Trigger rod	1	50109138	Whip hose	2	
31	50022458	Packing gland	1				



Key	Part No.	Description	Qty	Key	Part No.	Description	Qty
	50023179	Standard handle with cover		68	50023292	Nab	2
60	50023187	Bracket, standard handle	1	69	50023314	Handle spacer	4
61	50023195	Handle, standard	2	70	50023330	Nylon guide	1
62	50023209	Rubber handle	1	71	50023365	Slotted pin, Ø6x22	1
63	50023217	Rubber handle	1	72	50023373	Safety trigger	1
64	50023241	Trigger lever, standard	1	73	50023381	Washer, nylon Ø21/Ø37x3	2
65	50023250	Roll pin, Ø8x40	1	74	50023390	Lock plate	1
66	50023268	Top cover	1	75	50023403	Spring	1
67	50023276	Screw, M10x20	4	76	50463268	Decal, Fairmont	2
				77	49009	Decal, warning	1



Key	Part No.	Description	Qty	Key	Part No.	Description	Qty
	52020091	Dampening handle with cover		92	50023527	Pin, pawl Ø6x30	1
80	52020092	Frame	1	93	50023446	Trigger lever	1
81	52020093	Handle rod	1	94	50023535	Roll pin, Ø6x24	1
82	52020094	Bottom plate	1	95	50023560	Thrust pad with screw	1
83	52020095	Spring guide	4	96	50023578	Nut, M8	1
84	52020096	Roll pin, Ø6x12	2	97	50023586	Nut, cap, M8-hex 13 black	1
85	52020097	Spring	4	98	50023543	Top cover	1
86	52020098	Nylon guide	8	99	50023276	Screw, M10x20	4
87	52020099	Washer, Ø8	4	100	50023292	Nab	2
88	52020100	Screw, M8x16	4	101	50023314	Handle spacer	4
89	50023497	Pin latch, right	1	102	50023209	Rubber handle	1
90	50023500	Pin latch, left	1	103	50023217	Rubber handle	1
91	50023470	Trigger pawl	1	104	50463268	Decal, Fairmont	2
				105	49009	Decal, warning	1



1-1/8" x 6" Hex Shank

Key	Part No.	Description	Qty
110	50023837	Nose part, hex 1-1/8", 1-1/4"	1
111	50023918	Bushing, hex 1-1/8" x 6"	1
112	50023926	Chisel bellows, hex 1-1/8"	1
113	50023705	Latch	1
114	50023730	Spring	1
115	50023748	Lock pin	1
116	50023756	Screw, M10x55	2
117	50023764	Roll pin, Ø16x50	1
118	50023802	Roll pin, Ø10x50	1
119	50023934	Locking ring, 64x2	1
120	50109561	Decal, hex shank size 1-1/8 x 6	1

1-1/4" x 6" Hex Shank

Key	Part No.	Description	Qty
110	50023837	Nose part, hex 1-1/8", 1-1/4"	1
111	50023942	Bushing, hex 1-1/4" x 6"	1
112	50023969	Chisel bellows, hex 1-1/4"	1
113	50023705	Latch	1
114	50023730	Spring	1
115	50023748	Lock pin	1
116	50023756	Screw, M10x55	2
117	50023764	Roll pin, Ø16x50	1
118	50023802	Roll pin, Ø10x50	1
119	50023934	Locking ring, 64x2	1
120	50109553	Decal, hex shank size 1-1/4 x 6	1