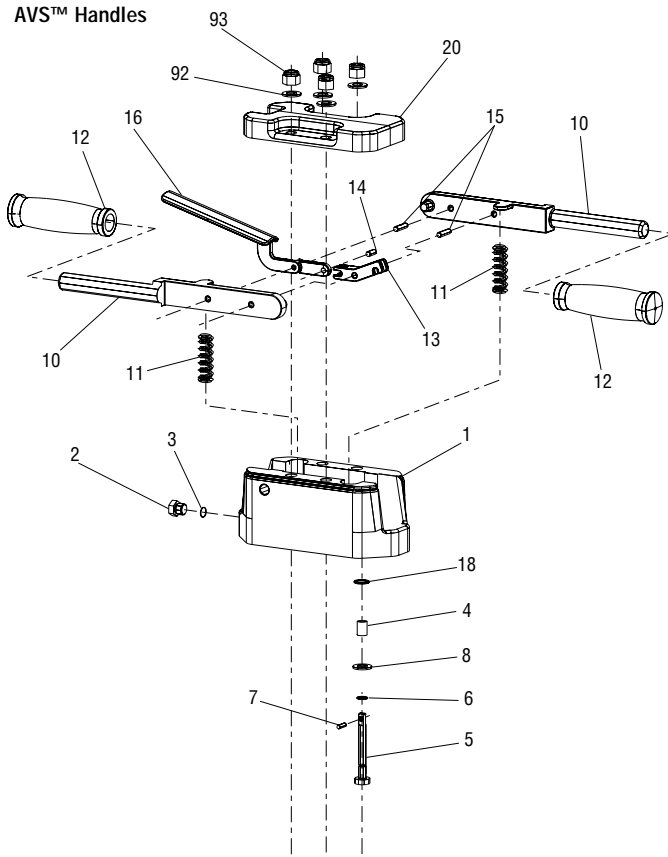
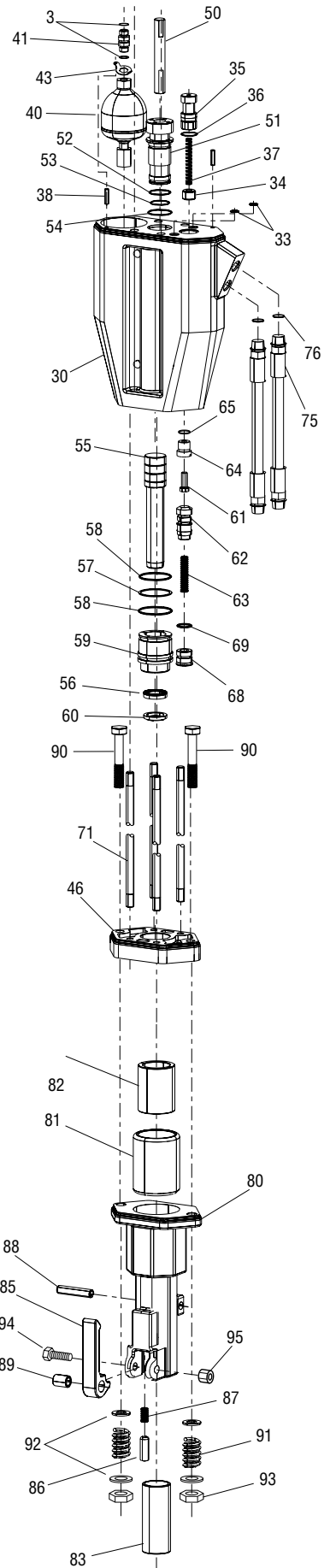


### Exploded View

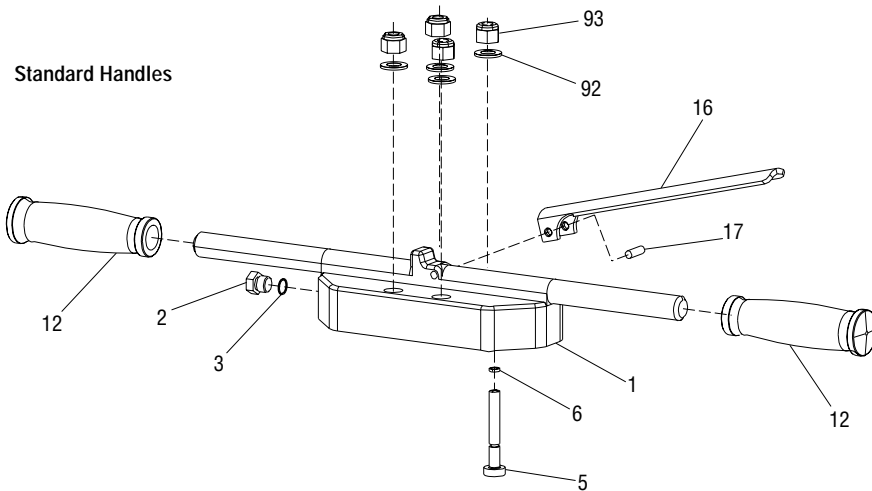
#### AVS™ Handles



#### HD5590 Paving Breaker



#### Standard Handles



**Parts List**

Key	UPC No. 78-3310-	Part No.	Description	Qty.
1	48836	504 8836.8	Handle body (AVS models) .....	1
	48929	504 8929.1	Handle body (standard models) (includes item 12) .....	1
2	41500	F015292	Plug, o-ring, 9/16" - 18 (includes quantity one of item 3) .....	1
3*	41353	F011302	O-ring, .468 x .624 x .078" .....	3
4	48805	504 8805.8	Bearing, bronze (AVS models) .....	1
5	48860	504 8860.0	Plunger, trigger (standard models) .....	1
	48835	504 8835.0	Plunger, trigger (AVS models) .....	1
6*	54748	905 4748.9	O-ring, .250 x .375 x .063" (AVS models) .....	1
7	54889	905 4889.2	Pin, groove, .250 x .625" (AVS models) .....	1
8*	53853	905 3853.6	Backup ring, .250 x .360 x .027", Teflon .....	1
10	48928	504 8928.3	Handle, arm (AVS models) (includes item 12) .....	2
11	54780	905 4780.2	Spring, comp., .375 x .750 x 2.50" (AVS models) .....	2
12	48804	504 8804.0	Grip, handle .....	2
13	48841	48841	Link, handle (AVS models) .....	1
14	54890	905 4890.6	Pin, dowel, .250 x .625" (AVS models) .....	1
15	55257	905 5257.1	Pin, .250 x 1.250" (AVS models) .....	2
16	48832	504 8832.5	Trigger, handle (AVS models) .....	1
	48857	504 8857.0	Trigger, handle (standard models) .....	1
17	54814	905 4814.0	Pin, .250 x 1.375 (standard models) .....	1
18	41402	F012946	O-ring, .562 x .687 x .062" - 70 (AVS models) .....	1
20	48790	504 8790.6	Cap (AVS models) .....	1
30	48853	504 8853.8	Main body (includes items 64 and 65) .....	1
33*	41371	F011762	O-ring, .437 x .625 x .093" - 90 .....	2
34	41694	F018355	Plug, pipe .....	1
35	48774	504 8874.0	Spool, trigger valve (open-center) .....	1
36*	41558	F015677	O-ring, 1.125 x 1.250 x .062" - 70 .....	1
37	55203	905 5203.2	Spring, comp., .187 x .375 x 3.00 .....	1
38	54769	905 4769.1	Pin, roll, .250 x 1.000" .....	2
40	48975	48975	Accumulator, uncharged .....	1
41	54981	905 4981.3	Adapter, accumulator (includes quantity two of item 3) .....	1
43	46278	504 6278.4	Accumulator bracket .....	1
50	49143	504 9143.1	Spool, ram .....	1
51	48779	504 8779.5	Bushing, ram spool .....	1
52*	41479	F014851	O-ring, 1.250 x 1.437 x .093" - 70 .....	1
53*	41763	F019842	O-ring, 1.187 x 1.375 x .093" - 80 .....	1
54*	41841	F021449	O-ring, 1.812 x 2.000 x .093" - 70 .....	1
55	49311	504 9311.6	Ram .....	1
56*	41518	F015337	Seal, U-cup, 1.125 x 1.500 x .312" .....	1
57*	40357	113600	Backup ring .....	1
58*	41333	F010888	O-ring, 2.000 x 2.250 x .125" - 70 .....	2
59	48861	504 8861.9	Packing gland .....	1
60*	41529	F015355	Wiper, rod, 1.125 x 1.500 x .281" .....	1
61	40262	109153	Plunger .....	1
62	48847	504 8847.3	Spool, shuttle .....	1
63	40051	091338	Spring, compression .....	1
64	40334	113149	Bushing, plunger .....	1
65*	41354	F011323	O-ring, .687 x .875 x .093" - 70 .....	1
68	48851	504 8851.1	Plug, shuttle spool .....	1
69*	42051	F023451	O-ring, .812 x 1.000 x .093" - 90 .....	1
71	48984	504 8984.4	Screw, rod (standard models) .....	4
	48766	504 8766.3	Screw, rod (AVS models) .....	4
75	40307	112350	Hose assembly (includes item 76) .....	2
76*	41397	F012813	O-ring .....	2
80	48764	504 8764.7	Front head .....	1
81	48776	504 8776.0	Sleeve, tappet .....	1
82	48807	504 8807.4	Tappet .....	1

Key	UPC No. 78-3310-	Part No.	Description	Qty.
83	48987	504 8987.9	Hex bushing 1-1/8 x 6" (HD5590-1 and HD5590-1AVS) .....	1
	48989	504 8989.5	Hex bushing 1-1/4 x 6" (HD5590-2 and HD5590-2AVS) .....	1
	48986	504 8986.0	Hex bushing 28 x 160 mm (HD5590-3 and HD5590-3AVS) .....	1
	48988	504 9888.7	Hex bushing 32 x 160 mm (HD5590-4 and HD5590-4AVS) .....	1
85	40511	124868	Latch, tool .....	1
86	40302	112234	Pin, latch spring .....	1
87	41679	F018087	Spring, compression .....	1
88	55202	905 5202.4	Pin, roll, .500 x 2.000" .....	1
89	41181	154313	Bushing, latch .....	1
90	54865	905 4865.5	Screw, cap, 5/8 - 18 x 4.000", hex head .....	2
91	48982	504 8982.8	Spring, comp., .740 x 1.190 x 2.000" .....	2
92	54983	905 4983.0	Washer, flat, .625 x 1.250 x .093" .....	8
93	41407	F013239	Nut, locking, 5/8" - 18, hex .....	4
94	49309	504 9309.4	Screw, cap, 1/2 - 13 x 3.000", hex head .....	1
95	41421	F013500	Nut, 1/2" - 13, locking, elastic .....	1
96	49310	504 9310.8	Body, tappet .....	1

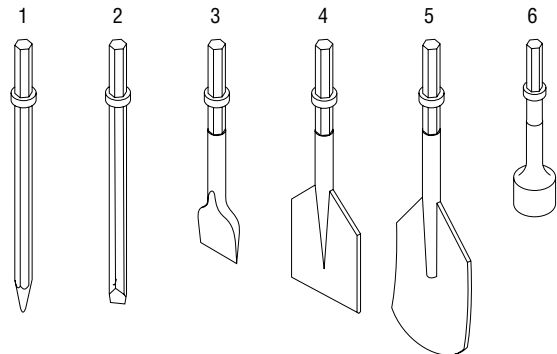
**Decals**

41547	F015482K1	Decal, Fairmont .....	1
49009	504 9009.5	Decal, warning .....	1
43391	139676	Decal, flow and pressure rating .....	1
40634	130693	Decal, accumulator .....	1

**Repair Kit**

* 48980	48980	Packing kit (includes items marked with an asterisk*) .....	1
---------	-------	--	---

**Accessories**



1-1/8" x 6" Shank (for the HD5590-1 and HD5590-1 AVS):

Key	UPC No. 78-3310-	Part No.	Description	Qty.
1	41706	F018451	Moil point .....	1
2	41710	F018455	Chisel bit, 1-3/8" .....	1
3	41707	F018452	Chisel bit, 3" .....	1
4	41708	F018453	Asphalt cutter, 3" .....	1
5	41709	F018454	Clay spade, 5-1/2" .....	1
6	40526	126451K1	Anvil, 1-7/8" (inside diameter) foot .....	1
	40527	126452K	Anvil, 2-1/2" (inside diameter) foot .....	1

1-1/4" x 6" Shank (for the HD5590-2 and HD5590-2 AVS):

1	41701	F018446	Moil point .....	1
2	41705	F018450	Chisel bit, 1-3/8" .....	1
3	41702	F018447	Chisel bit, 3" .....	1
4	41703	F018448	Asphalt cutter, 5" .....	1
5	41704	F018449	Clay spade, 5-1/2" .....	1