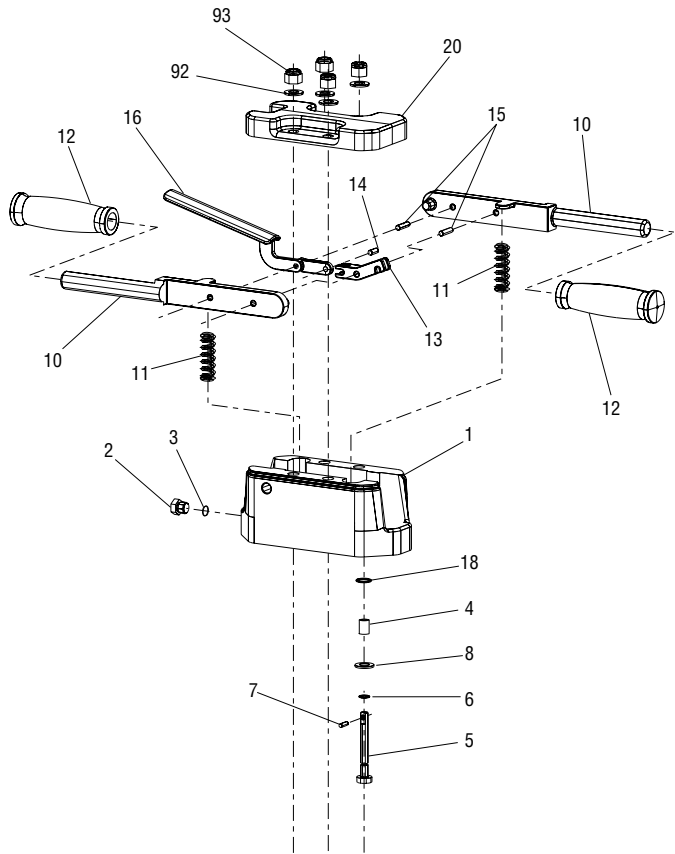
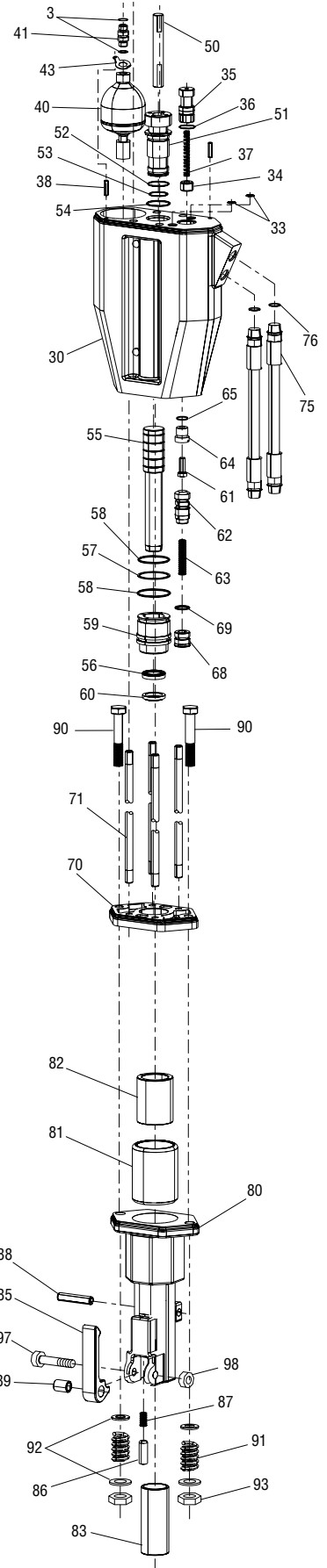


Exploded Views

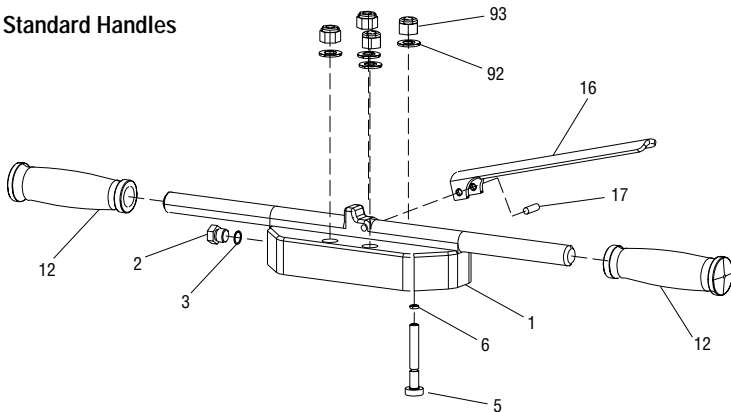
AVS™ Handles



HD5565 Paving Breaker



Standard Handles



Key	UPC No. 78-3310-	Part No.	Description	Qty.
1	48836	504 8836.8	Handle body (AVS models)	1
	48929	504 8929.1	Handle body (standard models) (includes item 12)	1
2	41500	F015292	Plug, o-ring, 9/16" - 18 (includes quantity one of item 3)	1
3*	41353	F011302	O-ring, .468 x .624 x .078"	3
4	48805	504 8805.8	Bearing, bronze (AVS models)	1
5	48860	504 8860.0	Plunger, trigger (standard models)	1
	48835	504 8835.0	Plunger, trigger (AVS models)	1
6*	54748	905 4748.9	O-ring, .250 x .375 x .063" (AVS models)	1
7	54889	905 4889.2	Pin, groove, .250 x .625" (AVS models)	1
8*	53853	905 3853.6	Backup ring, .250 x .360 x .027", Teflon	1
10	48928	504 8928.3	Handle, arm (AVS models) (includes item 12)	2
11	54780	905 4780.2	Spring, comp., .375 x .750 x 2.50" (AVS models)	2
12	48804	504 8804.0	Grip, handle	2
13	48841	48841	Link, handle (AVS models)	1
14	54890	905 4890.6	Pin, dowel, .250 x .625" (AVS models)	1
15	55257	905 5257.1	Pin, .250 x 1.250" (AVS models)	2
16	48832	504 8832.5	Trigger, handle (AVS models)	1
	48857	504 8857.0	Trigger, handle (standard models)	1
17	54814	905 4814.0	Pin, .250 x 1.375 (standard models)	1
18	41402	F012946	O-ring, .562 x .687 x .062" - 70 (AVS models)	1
20	48790	504 8790.6	Cap (AVS models)	1
30	48853	504 8853.8	Main body (includes items 64 and 65)	1
33*	41371	F011762	O-ring, .437 x .625 x .093" - 90	2
34	41694	F018355	Plug, pipe	1
35	48774	504 8874.0	Spool, trigger valve (open-center)	1
36*	41558	F015677	O-ring, 1.125 x 1.250 x .062" - 70	1
37	55203	905 5203.2	Spring, comp., .187 x .375 x 3.00	1
38	54769	905 4769.1	Pin, roll, .250 x 1.000"	2
40	48975	48975	Accumulator, uncharged	1
41	54981	905 4981.3	Adapter, accumulator (includes quantity two of item 3)	1
43	46278	504 6278.4	Accumulator bracket	1
50	48768	504 8768.0	Spool, ram	1
51	48779	504 8779.5	Bushing, ram spool	1
52*	41479	F014851	O-ring, 1.250 x 1.437 x .093" - 70	1
53*	41763	F019842	O-ring, 1.187 x 1.375 x .093" - 80	1
54*	41841	F021449	O-ring, 1.812 x 2.000 x .093" - 70	1
55	48767	504 8767.1	Ram	1
56*	41518	F015337	Seal, U-cup, 1.125 x 1.500 x .312"	1
57*	40357	113600	Backup ring	1
58*	41333	F010888	O-ring, 2.000 x 2.250 x .125" - 70	2
59	48861	504 8861.9	Packing gland	1
60*	41529	F015355	Wiper, rod, 1.125 x 1.500 x .281"	1
61	40262	109153	Plunger	1
62	48847	504 8847.3	Spool, shuttle	1
63	40051	091338	Spring, compression	1
64	40334	113149	Bushing, plunger	1
65*	41354	F011323	O-ring, .687 x .875 x .093" - 70	1
68	48851	504 8851.1	Plug, shuttle spool	1
69*	42051	F023451	O-ring, .812 x 1.000 x .093" - 90	1
70	48777	504 8777.9	Body, tappet	1
71	48984	504 8984.4	Screw, rod (standard models)	4
	48766	504 8766.3	Screw, rod (AVS models)	4
75	40307	112350	Hose assembly (includes item 76)	2
76*	41397	F012813	O-ring	2
80	48764	504 8764.7	Front head	1
81	48776	504 8776.0	Sleeve, tappet	1

Key	UPC No. 78-3310-	Part No.	Description	Qty.
82	48807	504 8807.4	Tappet	1
83	48987	504 8987.9	Hex bushing 1-1/8 x 6" (HD5565-1 and HD5565-1AVS)	1
	48989	504 8989.5	Hex bushing 1-1/4 x 6" (HD5565-2 and HD5565-2AVS)	1
	48986	504 8986.0	Hex bushing 28 x 160 mm (HD5565-3 and HD5565-3AVS)	1
	48988	504 8688.7	Hex bushing 32 x 160 mm (HD5565-4 and HD5565-4AVS)	1
85	40511	124868	Latch, tool	1
86	40302	112234	Pin, latch spring	1
87	41697	F018087	Spring, compression	1
88	55202	905 5202.4	Pin, roll, .500 x 2.000"	1
89	41181	154313	Bushing, latch	1
90	54865	905 4865.5	Screw, cap, 5/8 - 18 x 4.000", hex head	2
91	48982	504 8982.8	Spring, comp., .740 x 1.190 x 2.000"	2
92	54983	905 4983.0	Washer, flat, .625 x 1.250 x .093"	8
93	41407	F013239	Nut, locking, 5/8" - 18, hex	4
97	49309	504 9309.4	Screw, cap, 1/2 - 13 x 3.000", hex head	1
98	41421	F013500	Nut, 1/2" - 13, locking, elastic	1

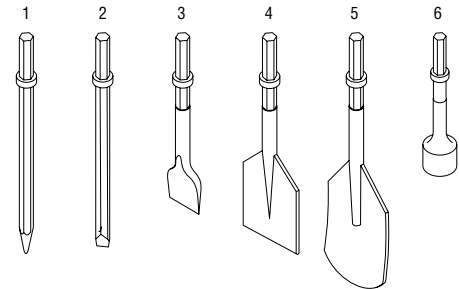
Decals

41547	F015482K1	Decal, Fairmont	1
49009	504 9009.5	Decal, warning	1
43391	139676	Decal, flow and pressure rating (non-AVS) ...	1
40634	130693	Decal, accumulator	1
49467	49467	Decal, flow, pressure, weight (AVS only)	1
49506	49506	Decal, CE (AVS only)	1
49961	49961	Decal, sound (AVS only)	1

Repair Kit

* 48980	48980	Packing kit (includes items marked with an asterisk*)	1
---------	-------	--	---

Accessories



Key	UPC No. 78-3310-	Part No.	Description	Qty.
1-1/8" x 6" Shank (for the HD5565-1 and HD5565-1 AVS):				
A	41706	F018451	Moil point	1
B	41710	F018455	Chisel bit, 1-3/8"	1
C	41707	F018452	Chisel bit, 3"	1
D	41708	F018453	Asphalt cutter, 3"	1
E	41709	F018454	Clay spade, 5-1/2"	1
F	40526	126451K1	Anvil, 1-7/8" (inside diameter) foot	1
	40527	126452K	Anvil, 2-1/2" (inside diameter) foot	1

1-1/4" x 6" Shank (for the HD5565-2 and HD5565-2 AVS):

A	41701	F018446	Moil point	1
B	41705	F018450	Chisel bit, 1-3/8"	1
C	41702	F018447	Chisel bit, 3"	1
D	41703	F018448	Asphalt cutter, 5"	1
E	41704	F018449	Clay spade, 5-1/2"	1

Purpose of this Manual

This manual is intended to familiarize all personnel with the specifications and parts for the following Fairmont Paving Breakers:

	HD5565-1	(48965)	Serial Codes FTP and GHP
€	HD5565-1AVS	(48966)	Serial Codes FTR and GHR
	HD5565-2	(48967)	Serial Codes FWB and GHT
€	HD5565-2AVS	(48968)	Serial Codes FWA and GHV
	HD5565-3	(49152)	Serial Code FVE
€	HD5565-3AVS	(49153)	Serial Code FVF
	HD5565-4	(48969)	Serial Code FVZ
€	HD5565-4AVS	(48970)	Serial Codes FVY and GHY

Keep this manual available to all personnel.

Replacement manuals are available upon request at no charge.

Other Publications

Tool Owners/Users:

Operation Manual: Publication 999 3147.8

SAE Standard J1273 (Hose and Hose Assemblies): Publication 999 3032.3

Authorized Fairmont Service Centers:

Service Manual: Publication 999 2000.0

Specifications

HD5565

Type of Hydraulic System Open-center

Hydraulic Pressure Port

Tool 3/4" – 16 SAE O-ring boss

Hose 1/2" NPTF

Hydraulic Return Port

Tool 3/4" – 16 SAE O-ring boss

Hose 1/2" NPTF

Blows per Minute @ 30.3 l/min (8 gpm) 1250

Noise Levels

Sound Power Level 110 L_{WA}

Impulse (Peak) Sound Pressure 107 L_{pC peak m}

Vibration 24.5 ms²

Mass/Weight

Standard Model 30.4 kg (67 lb)

AVS™ Model 34.0 kg (75 lb)

Length

Standard Model 660 mm (26.0")

AVS™ Model 711 mm (28.0")

Width (across handles) 508 mm (20")

Tool Shank Size

HD5565-1 and HD5565-1AVS 1-1/8" x 6"

HD5565-2 and HD5565-2AVS 1-1/4" x 6"

HD5565-3 and HD5565-3AVS 28 x 160 mm

HD5565-4 and HD5565-4AVS 32 x 160 mm