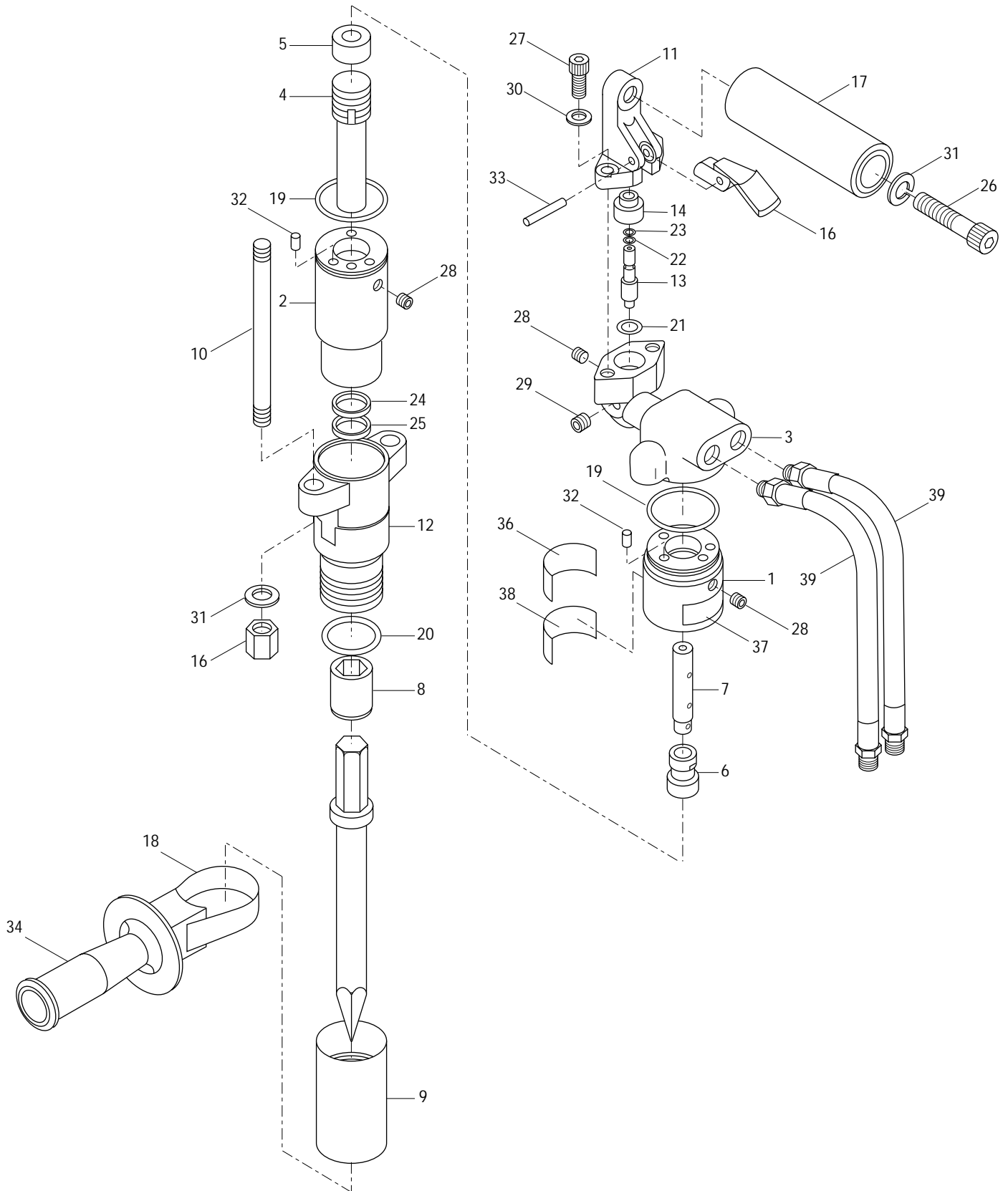


Illustration



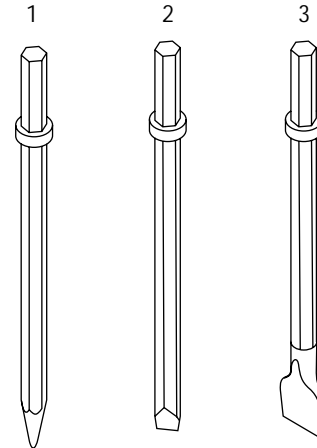
Parts List

Key	UPC No. 78-3310-	Part No.	Description	Qty.
1	46170	504 6170.2	Valve body	1
2	46171	504 6171.0	Cylinder	1
3	46172	504 6172.9	Head cover	1
4	46173	504 6173.7	Piston	1
5	46174	504 6174.5	Piston guide	1
6	46175	504 6175.3	Control valve	1
7	46176	504 6176.1	Piston rod	1
8	46177	504 6177.0	Chisel bushing	1
9	46178	504 6178.8	Front cap	1
10	46179	504 6179.6	Stud bolt	2
11	46180	504 6180.0	Handle stay	1
12	46181	504 6181.8	Front end	1
13	46182	504 6182.6	Valve rod	1
14	46183	504 6183.4	Valve guide	1
15	46184	504 6184.2	Control lever	1
16	46185	504 6185.0	Nut stud bolt	2
17	46012	504 6012.9	Handle grip	1
18	46186	504 6186.9	Band	1
19*	46187	504 6187.7	O-ring	2
20*	46188	504 6188.5	O-ring	1
21*	46189	504 6189.3	O-ring	1
22*	45964	504 5964.3	O-ring P5	1
23*	45970	504 5970.8	Backup ring P5	1
24*	46079	504 6079.0	U-cup packing	1
25*	46081	504 6081.1	Dust seal	1
26	46028	504 6028.5	Bolt hex socket M12 x 50	1
27	46190	504 6190.7	Bolt hex socket 8 x 20	2
28	46089	504 6089.7	Plug	7
29	45983	504 5983.0	Taper plug, hex socket PT1/8	1
30	46191	504 6191.5	Washer	2
31	46029	504 6029.3	Spring washer	3
32	46192	504 6192.3	Spring pin	2
33	46193	504 6193.1	Spring pin	1
34	46194	504 6194.0	Auxiliary handle assembly	1
36		500 1745.4	Decal, identification	1
37	49009	49009	Decal, warning	1
38	45931	504 5931.7	Decal, pressure/flow/weight	1
39	45980	504 5980.5	Hydraulic hose	2

Kits

46298	504 6298.9	Kit, seal (includes items marked with an asterisk)
-------	------------	--

Accessories



Key	UPC No. 78-3310-	Part No.	Description
1	46215	504 6215.6	Moil point
2	46216	504 6216.4	Chisel bit, 1"
3	46217	504 6217.2	Chisel bit, 2"