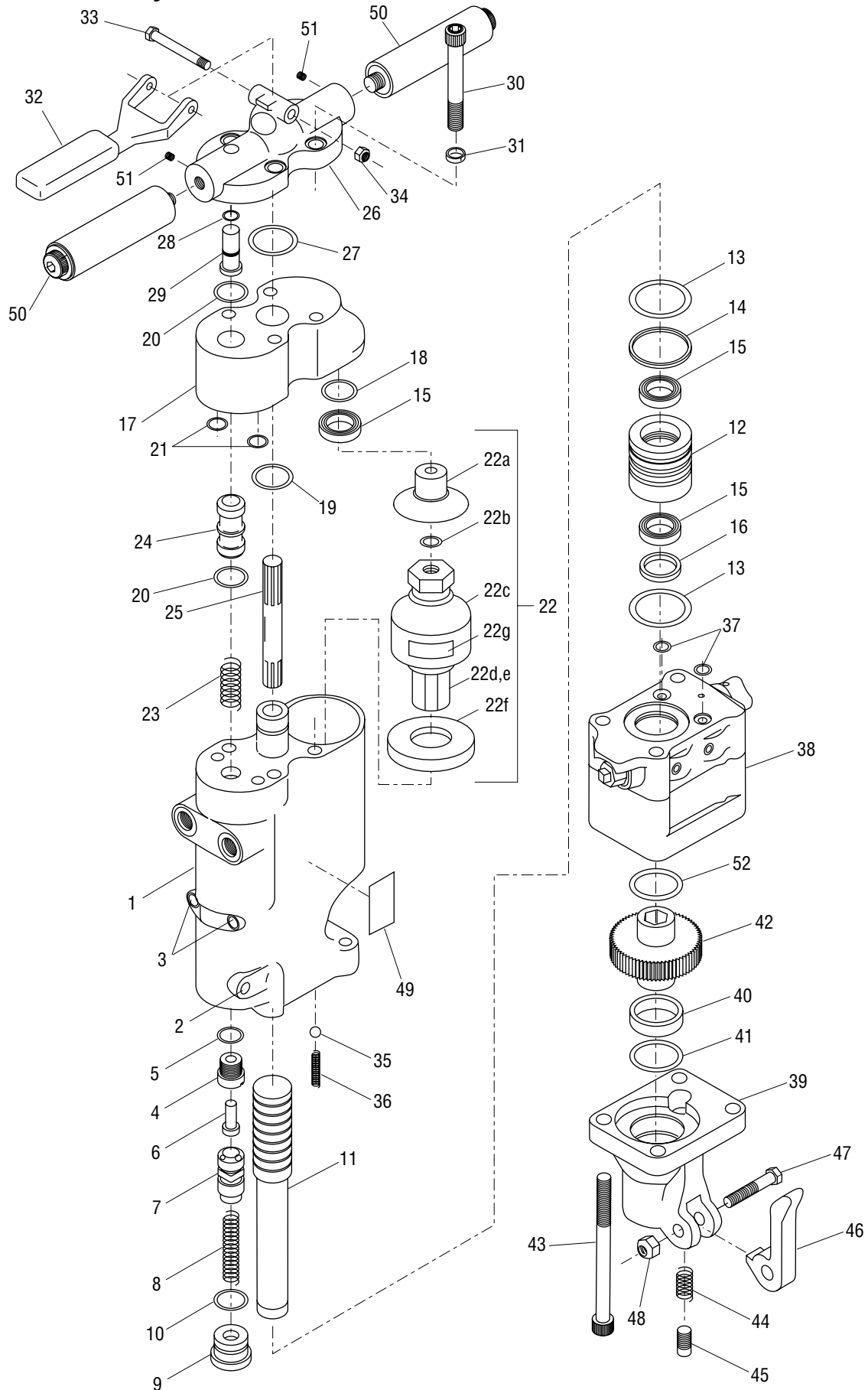


### Illustration—Rotary Hammer



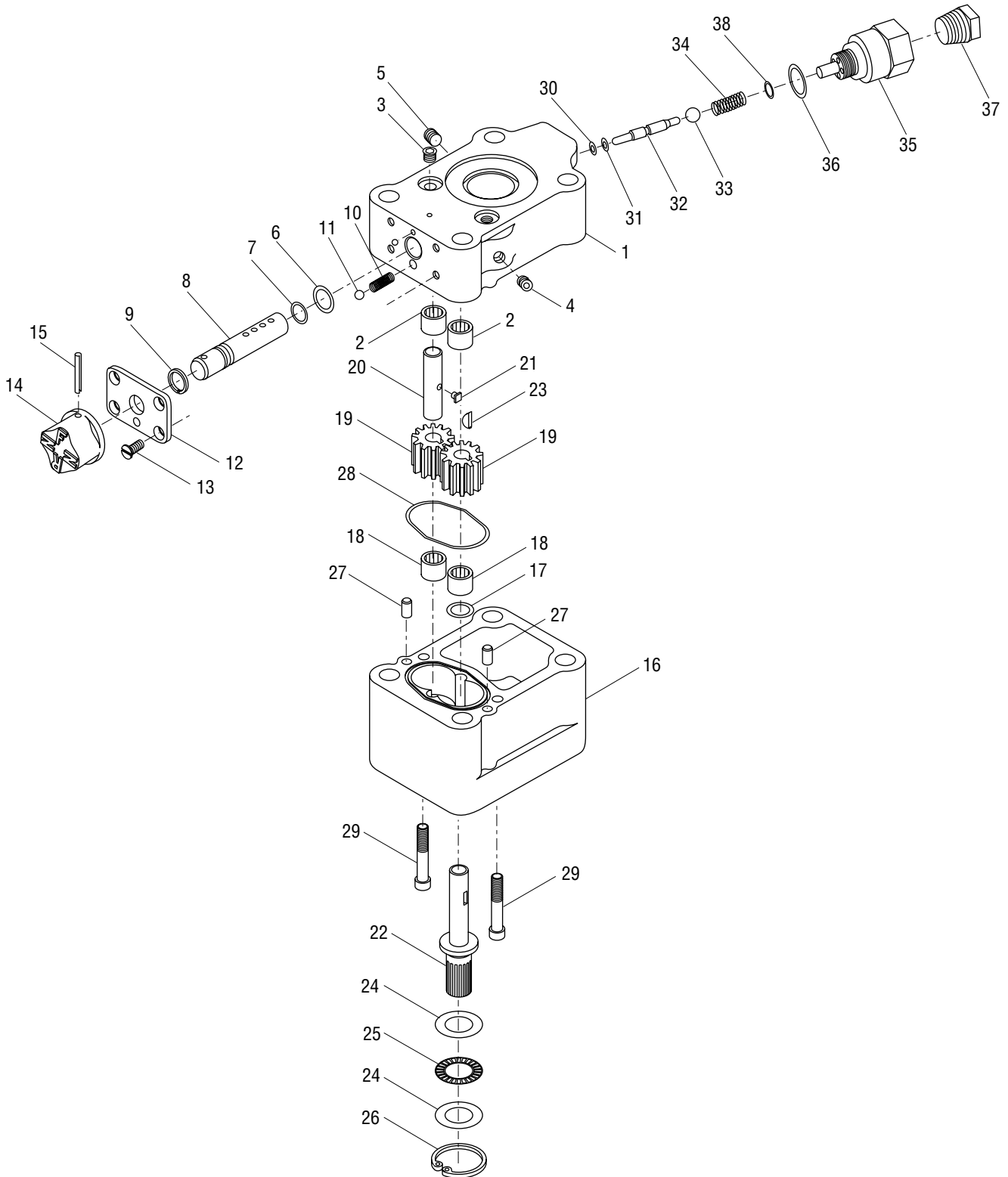
## Parts List—Rotary Hammer

Key	UPC No. 78-3310-	Part No.	Description	Qty
1	44072	130118	Body, rotary hammer (includes items 2–5) .....	1
2	41692	F018353	Plug, pipe, 1/4" NPTF, socket .....	2
3	41965	F018357	Plug, pipe, 1/8" NPTF, socket .....	2
4	40334	113149	Bushing, plunger .....	1
5*	41354	F011323	O-ring, .687 x .875 x .093–70 .....	1
6	40262	109153	Plunger .....	1
7	40263	109154	Spool, driver shuttle .....	1
8	40051	091338	Spring, comp., .330 x .500 x 2.62 .....	1
9		136834	Plug .....	1
10*	42020	F022978	O-ring, 1.049 x 1.250 x .103–90 .....	1
11	40530	126481K	Ram .....	1
12	40505	124860K3	Gland, packing .....	1
13*	41333	F010888	O-ring, 2.000 x 2.250 x .125–70 .....	2
14*	40537	113600	Backup ring .....	1
15*	41518	F015337	Seal, U-cup, 1.125 x 1.500 x .312 .....	3
16*	41529	F015355	Wiper, rod, 1.125 x 1.500 x .281 .....	1
17	44074	134932	Valve body .....	1
18*	41392	F012595	O-ring, 1.000 x 1.250 x .125–70 .....	1
19*	41317	F009868	O-ring, 1.250 x 1.500 x .125–70 .....	1
20*	41558	F015677	O-ring, 1.125 x 1.250 x .062–70 .....	2
21*	41426	F013565	O-ring, .625 x .750 x .062–70 .....	2
22	48973	504 8973.9	Kit, uncharged accumulator (includes 22a–22g) .....	1
22a	48978	504 8978.0	Adapter, accumulator .....	1
22b	41353	F011302	O-ring, .468, x .624 x .078–90 .....	1
22c	48975	48975	Accumulator, uncharged (includes items 22d and 22e) .....	1
22d			Seal .....	1
22e			Hex cap, gas valve .....	1
22f	48977	504 8977.1	Plate, spacer .....	1
22g	40634	130693	Decal, danger .....	1
23	41663	F017912	Spring, trigger, .576 x .720 x 1.750 .....	1
24	44077	134555	Spool, trigger .....	1
25	40532	126483	Shaft, splined .....	1
26	40903	135690	Handle .....	1
27*	41326	F010561	O-ring, 1.500 x 1.750 x .125–70 .....	1
28*	41489	F015257	O-ring, .437 x .562 x .062–68 .....	1
29		134939	Plunger, trigger .....	1

## Parts List—Rotary Hammer (cont'd)

Key	UPC No. 78-3310-	Part No.	Description	Qty
30		F022705	Screw, cap, 1/2–13 x 4.250 socket head .....	4
31	41379	F012034	Washer, lock, .512 x .843 x .171 .....	4
32	40923	135970	Trigger (lever) .....	1
33	40519	125225	Bolt, trigger .....	1
34	41471	F014476	Nut, hex, 5/16–18 locking .....	1
35	41288	F006617	Ball, steel, .312" diameter .....	1
36	41686	F018245	Spring, comp., .210 x .300 x 1.500 .....	1
37*	41371	F011762	O-ring, .437 x .625 x .093–90 .....	2
38		134993	Motor assembly, reversible (refer to separate breakdown for parts) .....	1
39	43706	134930	Front head (includes items 40 and 41) .....	1
40	44125	F022772	Bearing, bronze .....	1
41*	43075	F022779	O-ring, 1.625 x 1.875 x .125–90 .....	1
42		134905	Gear (H4850-2) .....	1
	40626	129916	Gear (H4850-4) .....	1
43		F022774	Screw, cap, 1/2–13 x 6.500, socket head .....	4
44	41940	F022059	Spring, latch .....	1
45	41459	F014131	Pin, dowel, .375 x .875 .....	1
46	43081	159189	Latch assembly (H4850-2) .....	1
	40878	134922	Latch assembly (H4850-4) .....	1
47	41285	F005891	Screw, cap, 7/16–14 x 2.250 hex head .....	1
48	41582	F016095	Nut, hex, 7/16–14, locking .....	1
49	43800	134987	Instruction plate (H4850-2) .....	1
	40881	134995	Instruction plate (H4850-4) .....	1
50	40921	135950	Grip, handle .....	2
51	41362	F011592	Screw, set, #10–24 x .250, cup point socket .....	2
52*	43075	F022779	O-ring, 1.625 x 1.875 x .125–90 .....	1
<b>Decals</b>				
	40926	136173	Decal, warning .....	1
	40927	136174	Decal, warning .....	1
	41547	F015482K1	Decal, Fairmont .....	1
<b>Repair Kits</b>				
	48973	504 8973.9	Kit, uncharged accumulator (includes items 22a–22g) .....	1
	40574	127888	Gland and packing assembly (includes items 13–16) .....	1
*	40924	135979	Packing kit (includes items marked with an asterisk) .....	1

### Illustration—Reversible Motor Assembly



## Parts List—Reversible Motor Assembly

Key	UPC No. 78-3310-	Part No.	Description	Qty
		134993	Reversible motor assembly .....	1
	44084	130119	Plate, end .....	1
2	41591	F016728	Needle bearing .....	2
3		129904	Restrictor plug, 1/16" NPTF .....	1
4	41888	F021673	Pipe plug, 1/16" NPTF .....	2
5	41695	F018357	Pipe plug, 1/8" NPTF .....	1
6*	41488	F015255	O-ring, .562 x .750 x .093-68 .....	1
7*	41489	F015257	O-ring, .437 x 562 x .062-68 .....	1
8		134302K	Spool, control .....	1
9		F022602	Retaining ring, .534 x .630 x .035 .....	1
10		F022812	Spring, compression .....	1
11	41295	F008541	Ball, .250" diameter, stainless steel .....	1
12		134303	Plate, mounting .....	1
13		F009593	Screw, machine, #10-24 x .500, flat head .....	4
14		134304	Knob, control .....	1
15		F011324	Pin, roll, .125 x 1.25 .....	1
16	43850	130121	Motor body assembly .....	1
17*	41503	F015305	O-ring, .500 x .687 x .093-80 .....	1
18	41591	F016728	Needle bearing .....	2
19	40313	112385	Gear .....	2
20	40312	112384	Shaft, idler .....	1
21	41593	F016730	Pin, drive .....	1
22	40466	123019	Shaft, drive .....	1
23	41592	F016729	Woodruff key #213, .125 x .375 .....	1
24	41732	F019000	Race, bearing .....	2
25	41506	F015310	Bearing, thrust .....	1
26	41296	F008741	Retaining ring .....	1
27	41596	F016733	Pin, dowel, .250 x .500 .....	2
28*	43250	F022815	O-ring, 2.000 x 2.125 x .062-70 .....	1
29	41387	F012367	Screw, cap, 1/4-20 x 1.750, socket head .....	2
30*	41844	F021483	O-ring, .125 x .250 x .062-70 .....	1
31*	43049	F022817	Backup ring .....	1
32	43152	134553	Plunger .....	1
33	41357	F011341	Ball, steel, .375" diameter .....	2
34	43050	F020141	Spring .....	1
35	43654	140648	Adapter .....	1
36*	41397	F012813	O-ring, .644 x .818 x .087 - 90 .....	1
37	43769	F023882	Cap, plastic .....	1
38	43051	F024249	Washer, flat, .281 x .390 x .047 .....	1

\*Refer to the packing kit listed under "Repair Kits."